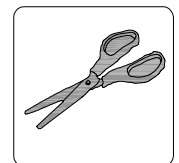
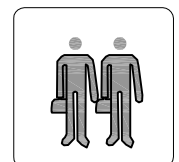
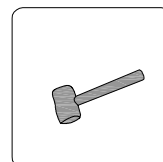
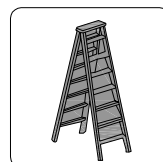
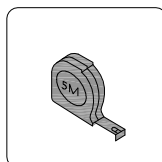
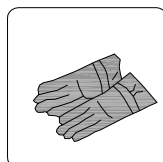
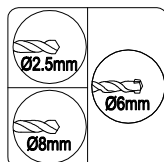
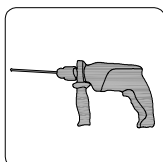
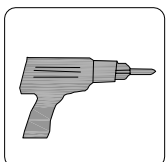
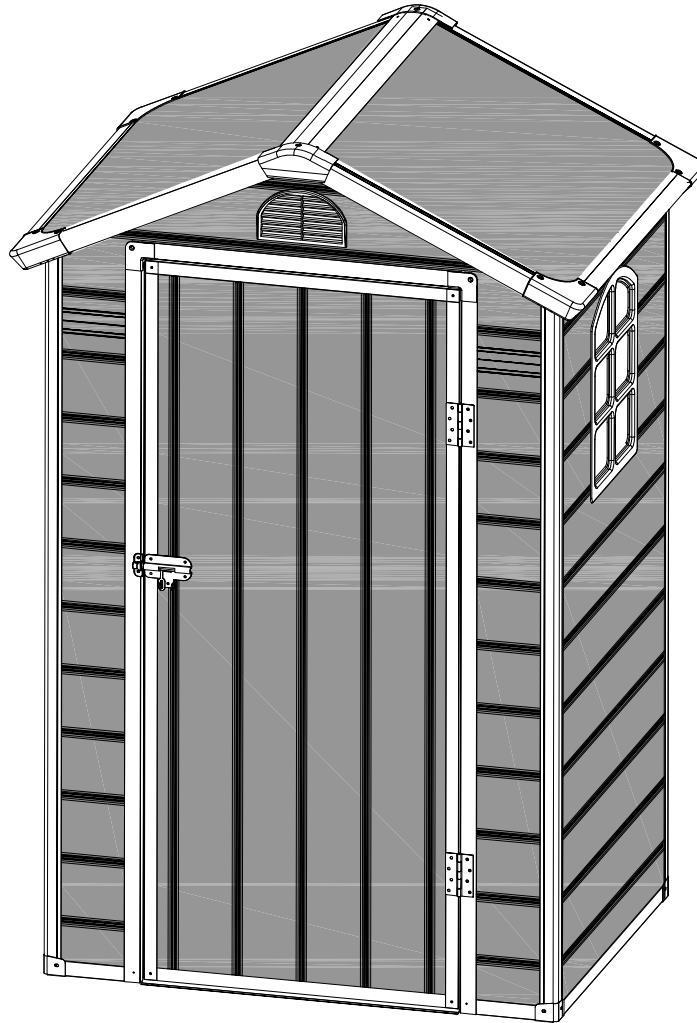
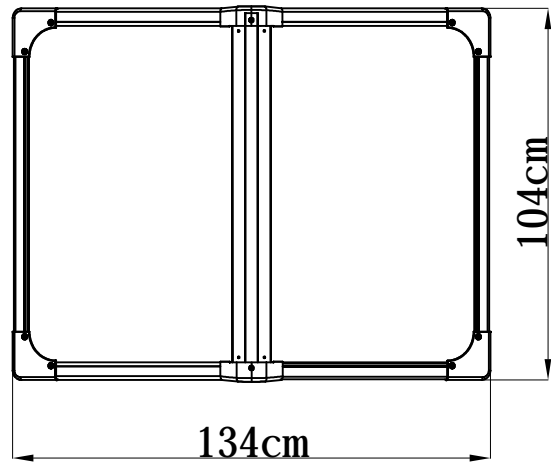
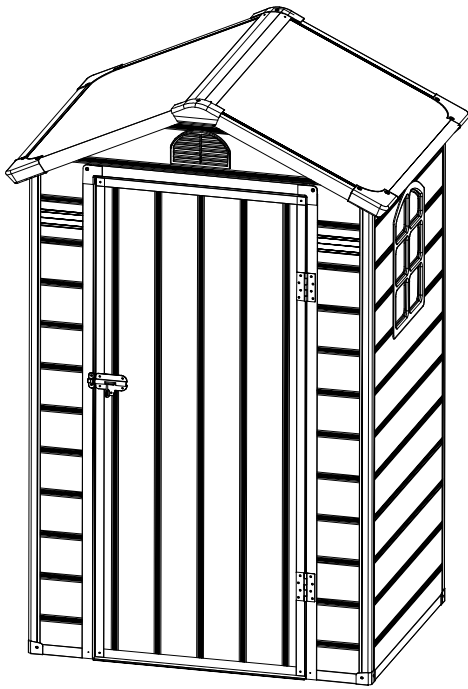
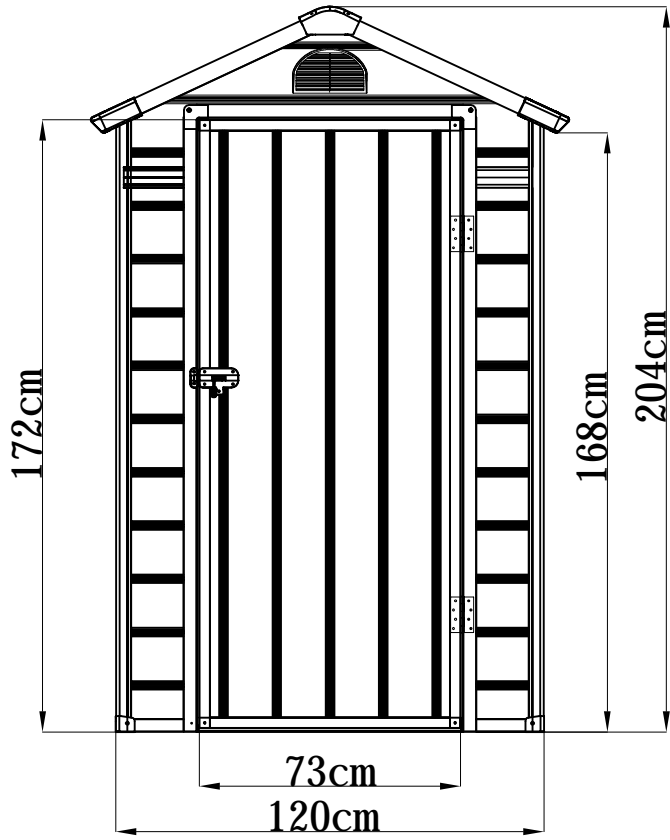
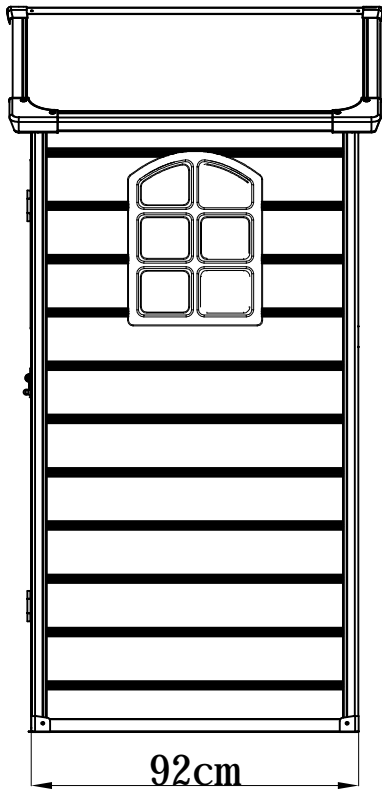


## Airevale 4x3 Apex Plastic Shed



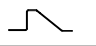









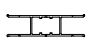




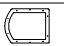



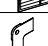

**Light Grey: SS545**

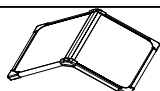
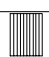
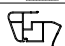
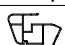

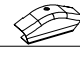
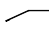

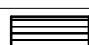
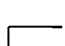
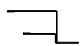

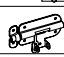





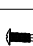
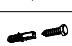

**Dark Grey: SS546**

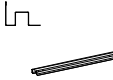
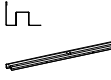
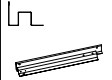
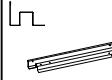
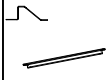
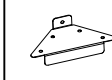



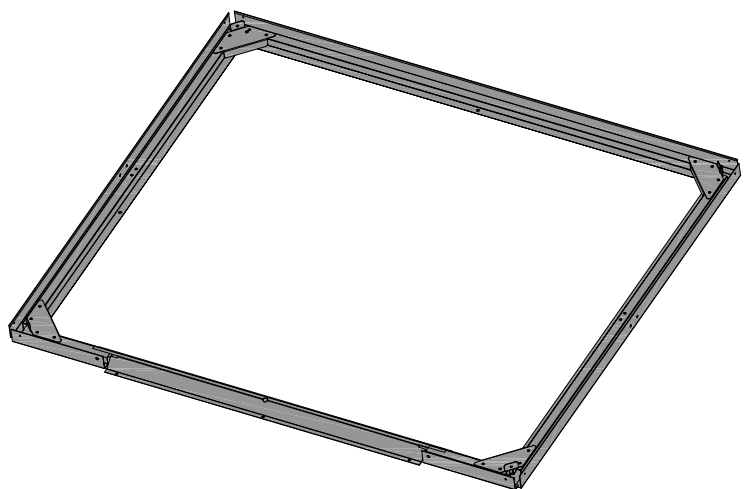
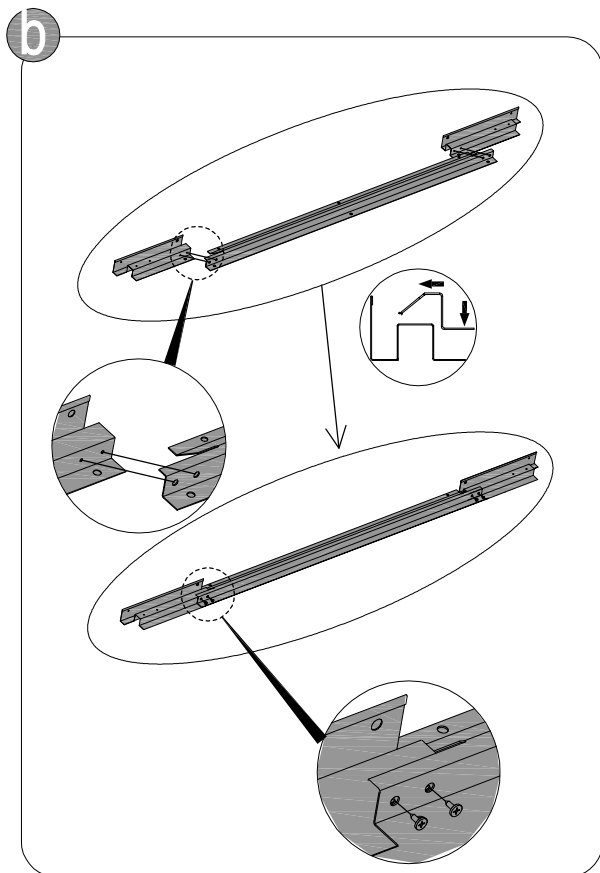
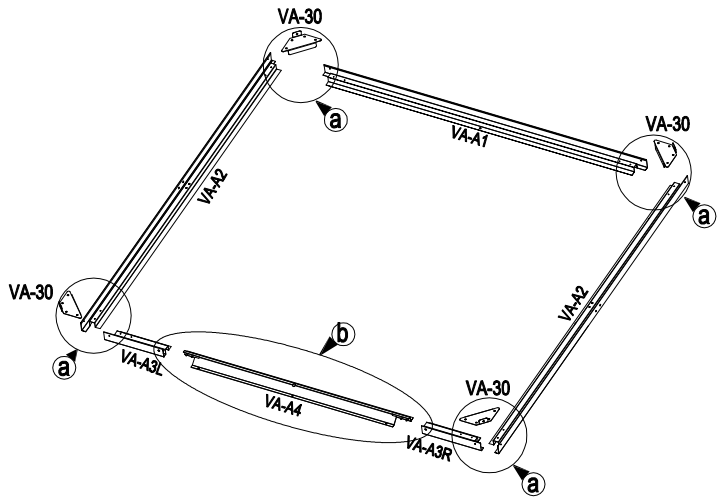
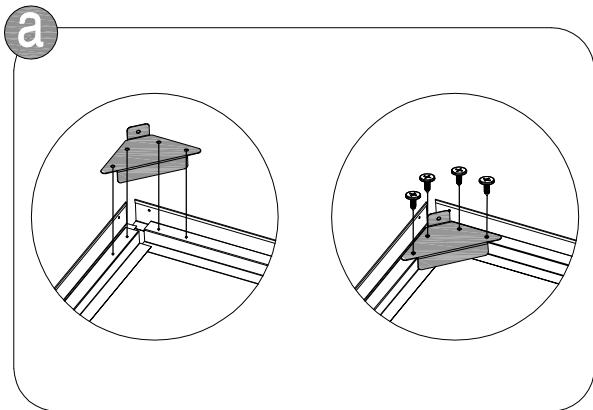




				
VA-A1		1185mm	x1	1/1
VA-A2		900mm	x2	1/1
VA-A3R		217mm	x1	1/1
VA-A3L		217mm	x1	1/1
VA-A4		830mm	x1	1/1
VA-30			x4	1/1
VA-31			x4	1/1
				
PA1		876X1740mm	x1	1/1
PA1S		876X1740mm	x1	1/1
PA2D		1160X448mm	x1	1/1
PA3D		1160X896mm	x1	1/1
PA5		205X1548mm	x2	1/1
PA4		1160X1100mm	x1	1/1
VA-A8		1155mm	x1	1/1
VA-A9		200mm	x2	1/1
VA-A11		1155mm	x1	1/1
VA-A12		200mm	x2	1/1
VA-A7R		1760mm	x2	1/1
VA-A7L		1760mm	x2	1/1
PPX12			x1	1/1
W2S			x1	1/1
PPX13			x1	1/1
VA-32R			x2	1/1
VA-32L			x2	1/1
PPX14			x2	1/1
PPX8			x2	1/1
PPX9			x2	1/1

				
PA6-A		985X1433mm	x1	1/1
VA-A21		600mm	x4	1/1
VA-A22		825mm	x2	1/1
PPX3			x4	1/1
PPX4			x2	1/1
VA-A24		1020mm	x1	1/1
				
PA7S		735X1710	x1	1/1
VA-A27		1712	x2	1/1
VA-A28		735	x2	1/1
VA-A25R		1730	x1	1/1
VA-A25L		1730	x1	1/1
VA-A26		748	x1	1/1
VA-41			x2	1/1
VA-40			x1	1/1
CN-A33			x2	1/1
PA01			x3	1/1
VA-A44		ST4.2x13mm	x115	1/1
VA-A45		ST4.2x19mm	x87	1/1
VA-A46		ST4.2x13mm	x6	1/1
VA-A47		ST4.2x19mm	x4	1/1
VA-A48		ST6.0x40mm	x5	1/1
VA-51			x1	1/1

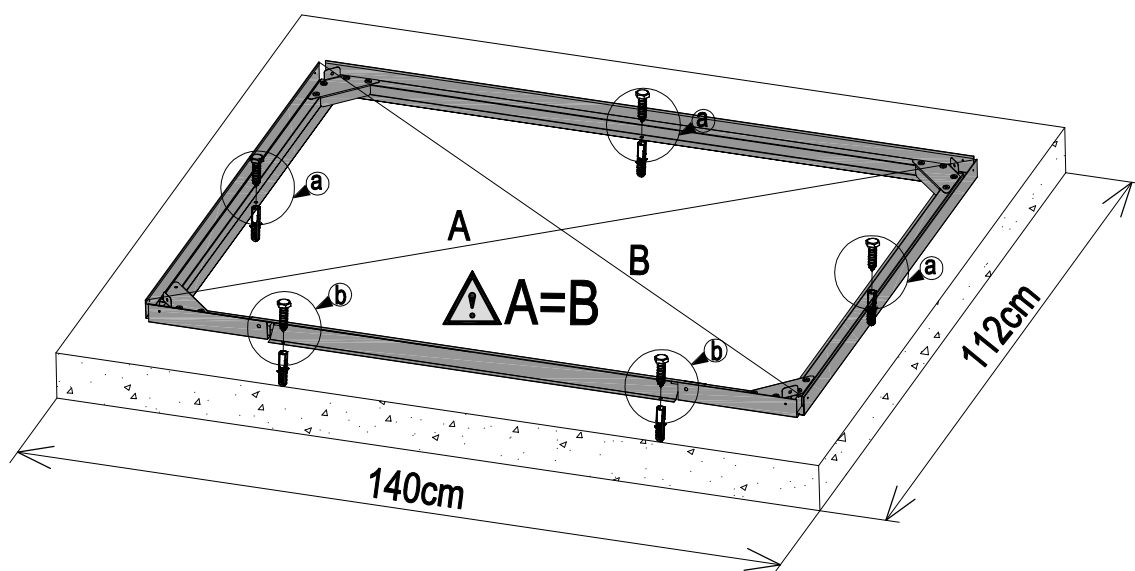
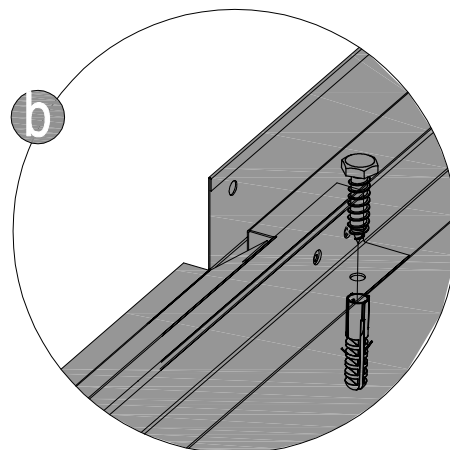
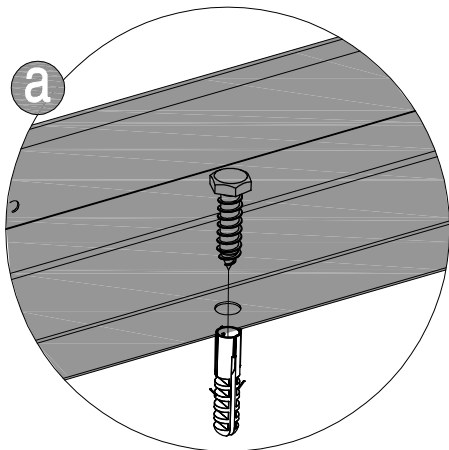
<b>1</b>	 VA-A1 [x1] 1185mm	 VA-A2 [x2] 900mm	 VA-A3L [x1] 217mm	 VA-A3R [x1] 217mm	 VA-A4 [x1] 830mm	 VA-30 [x4]	 VA-A44 [x20] 20mm	
----------	---	--	---	---	--	---	--	--

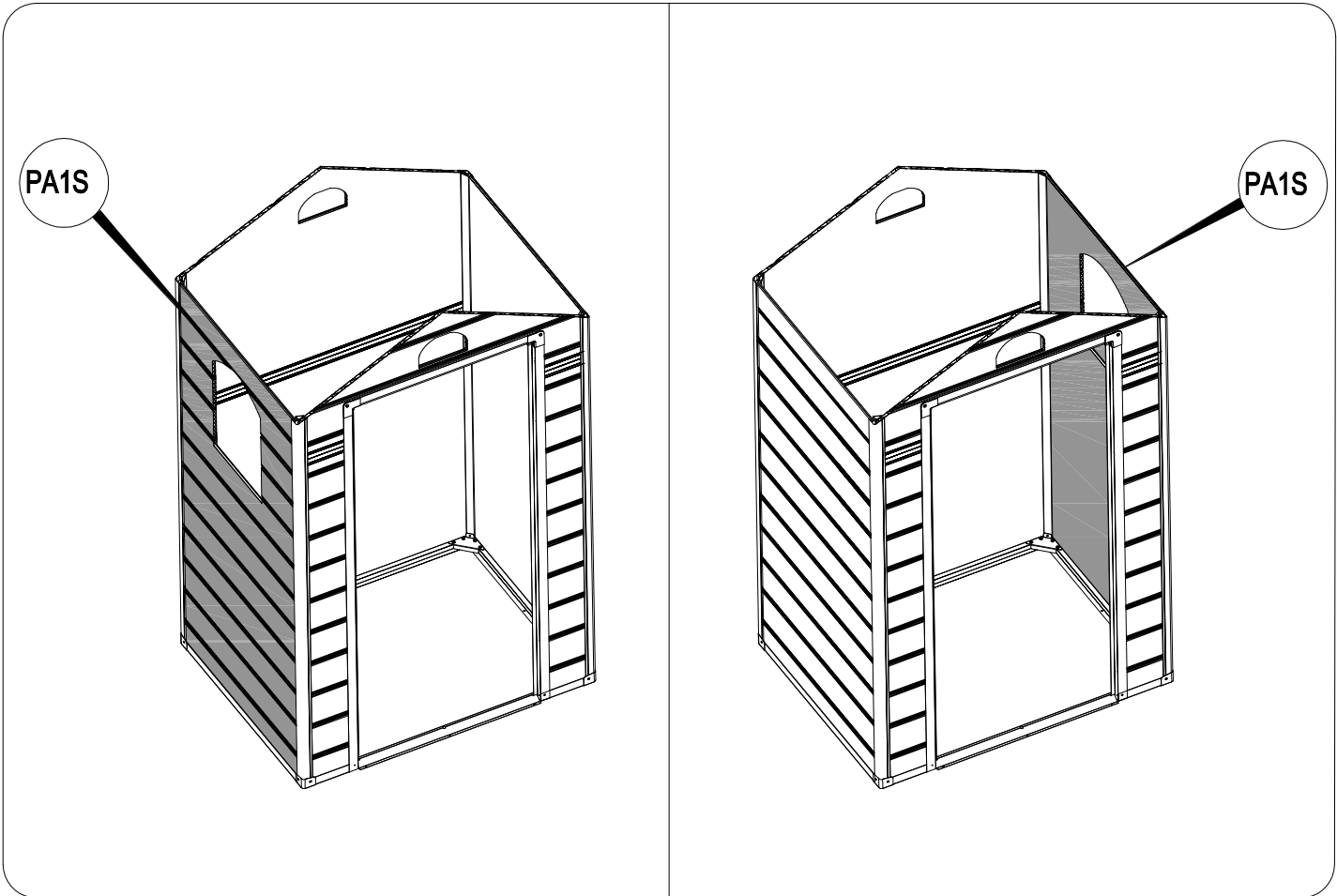



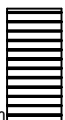


2

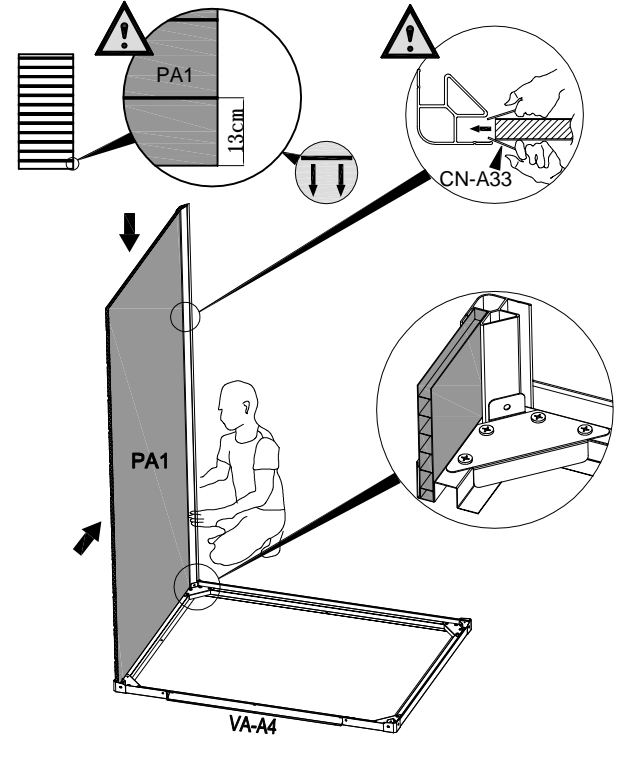
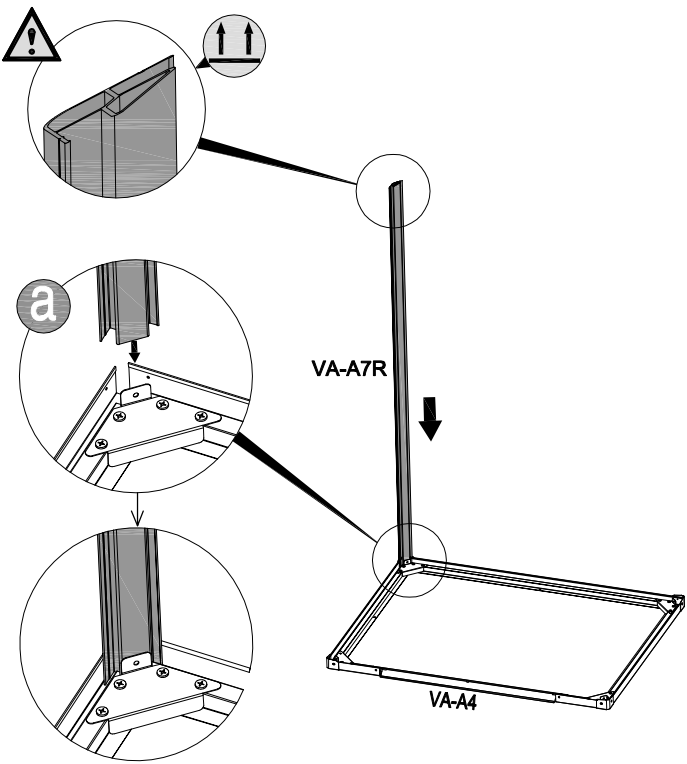






VA-A48 [x5]

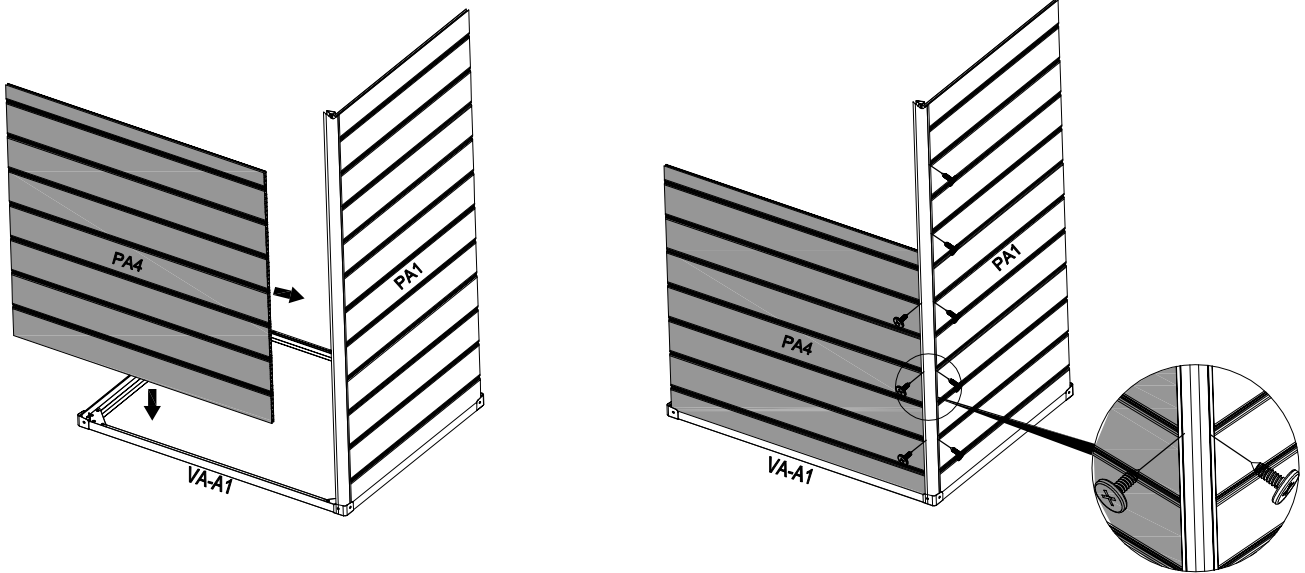









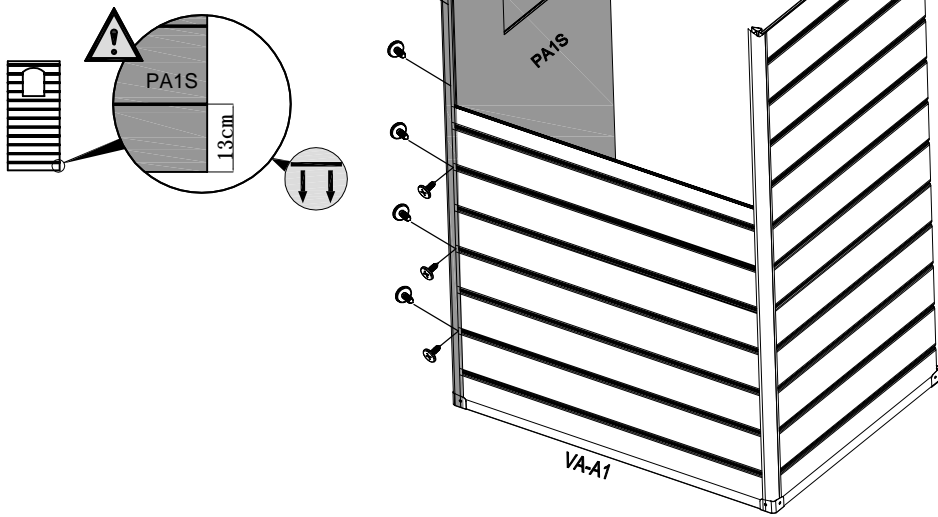
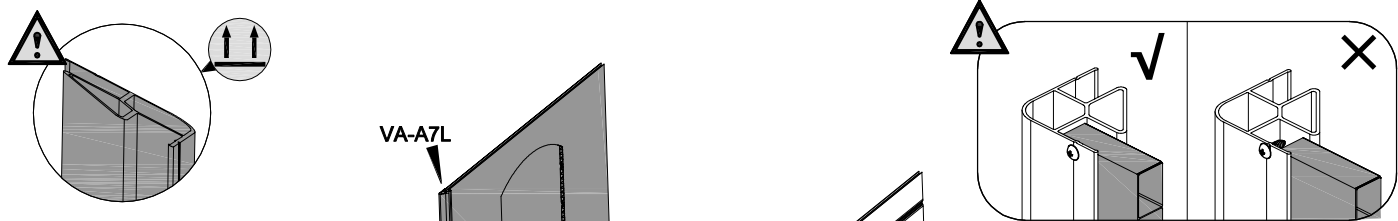
<p><b>3</b></p>	 <p>VA-A7R [x1] 1760mm</p>	 <p>PA1 [x1] 876x1740mm</p>	 <p>CN-A33</p>	
-----------------	---	--	---	---








<b>4</b>	 PA4 [x1] 1160x1100mm	 VA-A45 [x8] 19mm	 CN-A33	
----------	--	--	---	---

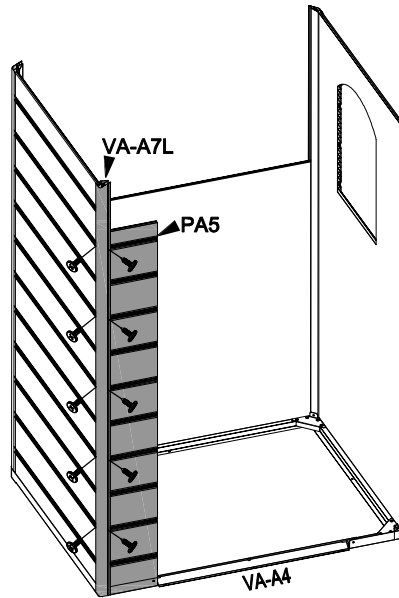
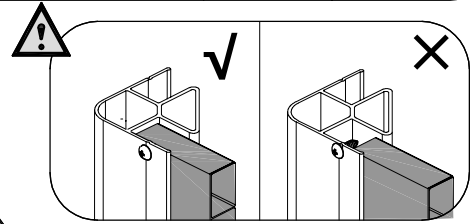
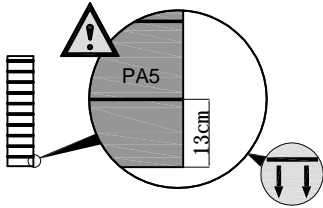
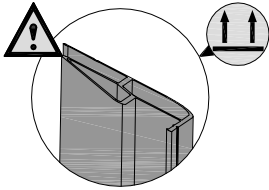







<b>5</b>	 VA-A7L [x1] 1760mm	 PA1S [x1] 876x1740mm	 VA-A45 [x8] 19mm	 CN-A33	
----------	--	--	--	--	---

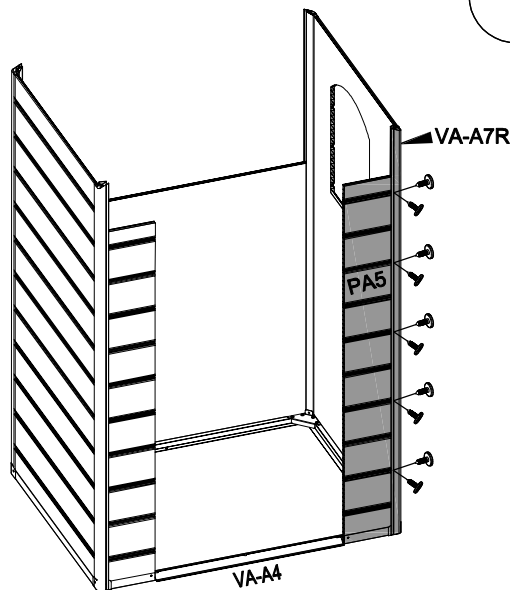
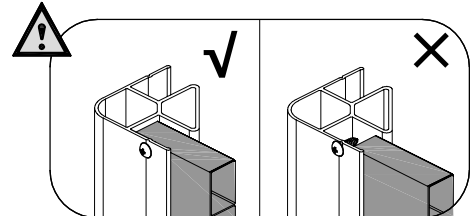
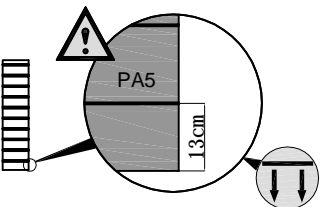
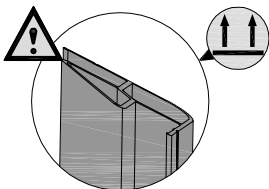




6	 VA-A7L [x1] 1760mm	 PA5 [x1] 205x1548mm	 VA-A45 [x10] 19mm	 CN-A33	
---	--	---	---	---	---



7	 VA-A7R [x1] 1760mm	 PA5 [x1] 205x1548mm	 VA-A45 [x10] 19mm	 CN-A33	
---	--	---	---	---	---



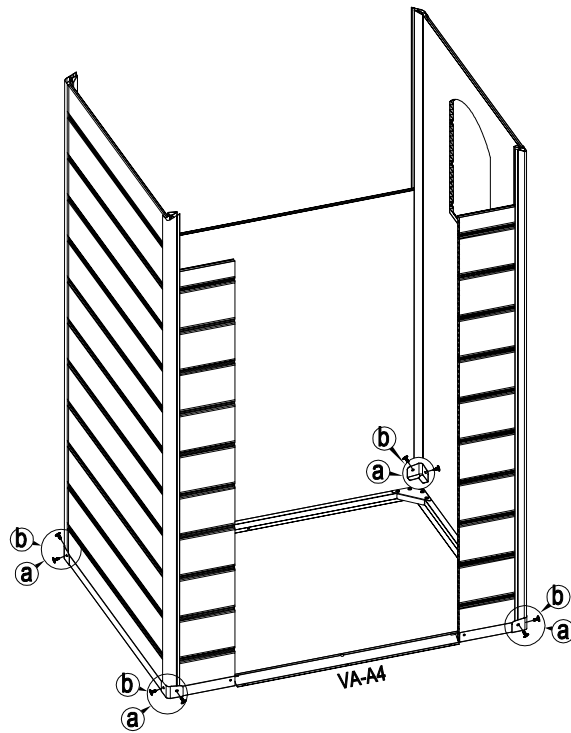
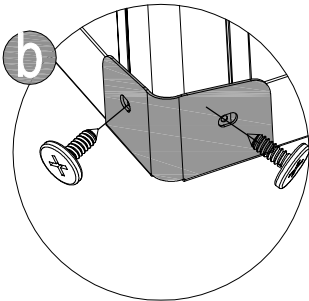
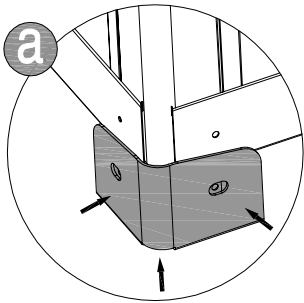
8



VA-31 [x4]



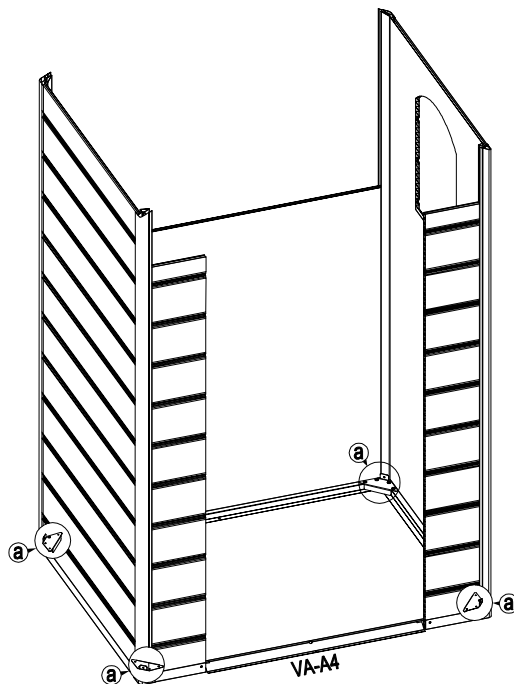
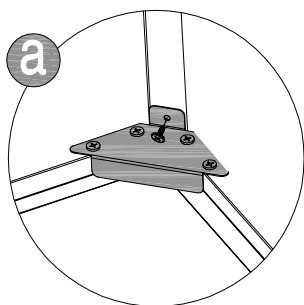
VA-A44 [x8]  
13mm



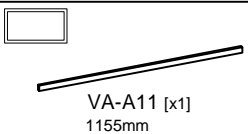
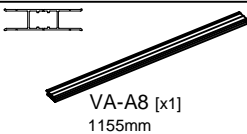
9



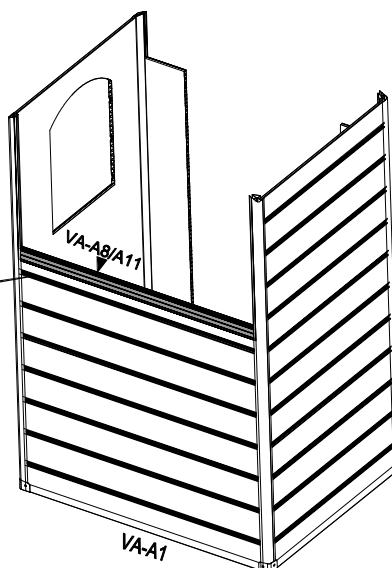
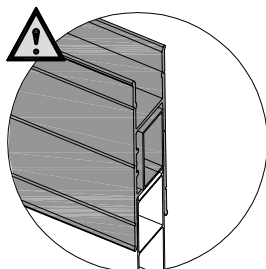
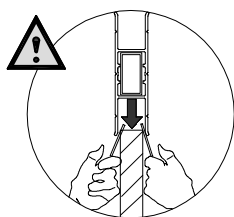
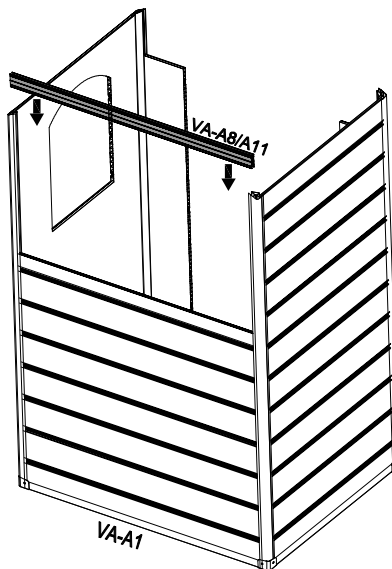
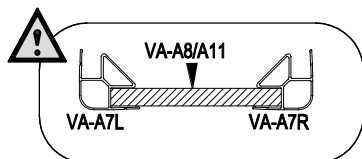
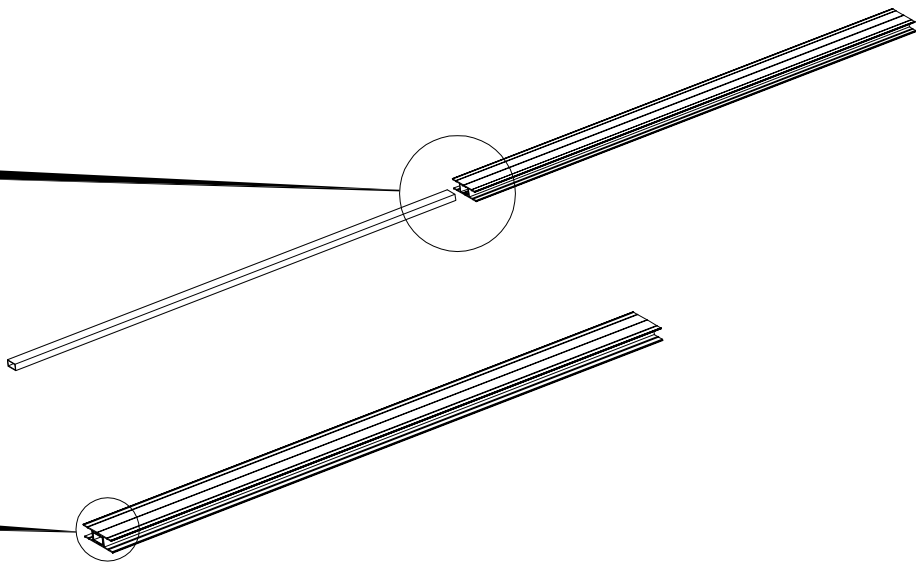
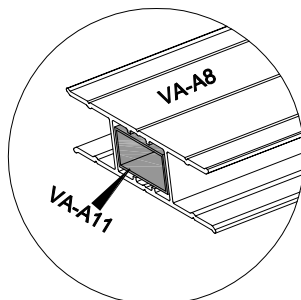
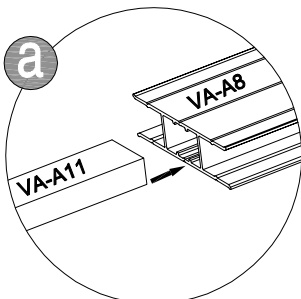
VA-A44 [x4]  
13mm


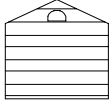





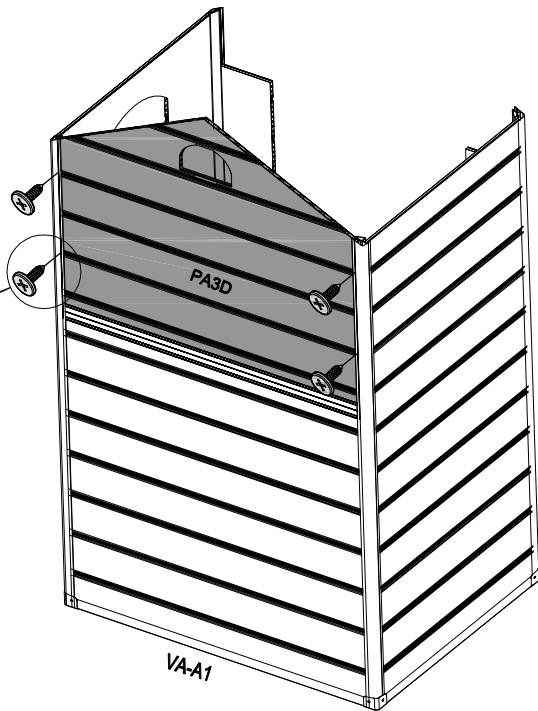
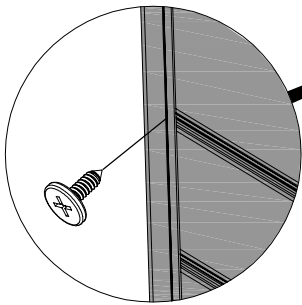
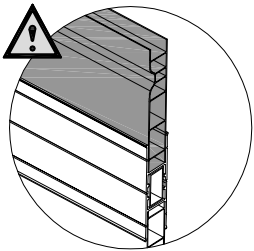
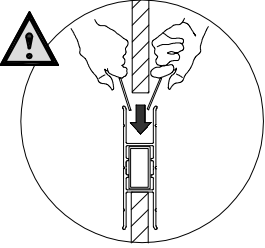
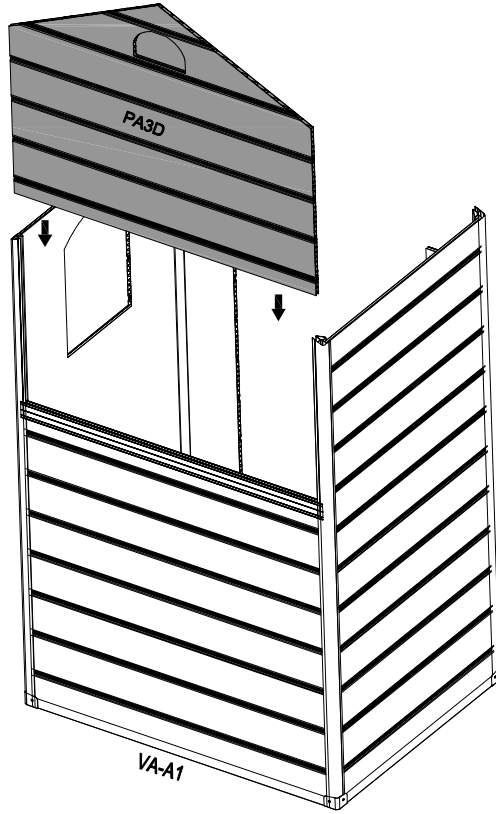
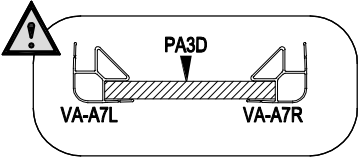
10




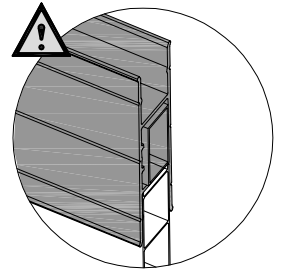
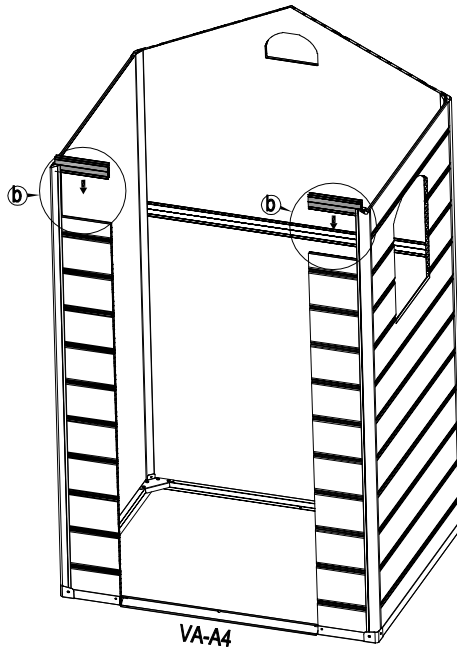
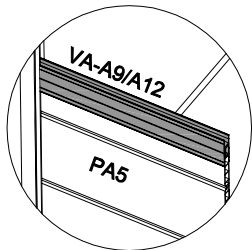
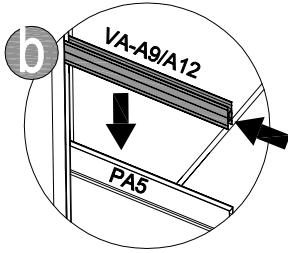
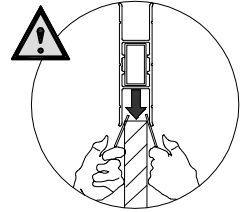
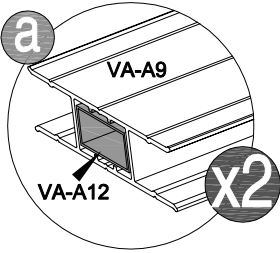
a

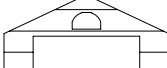






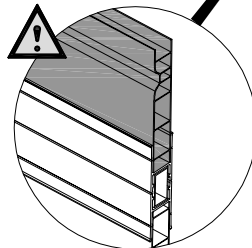
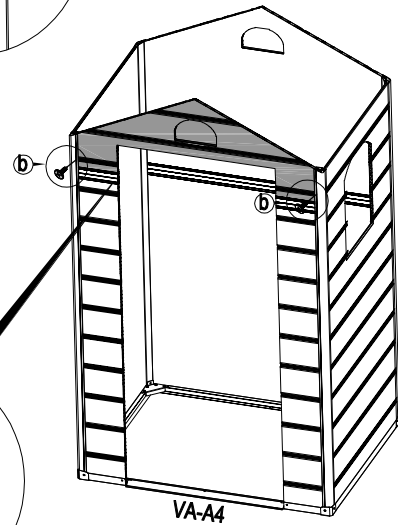
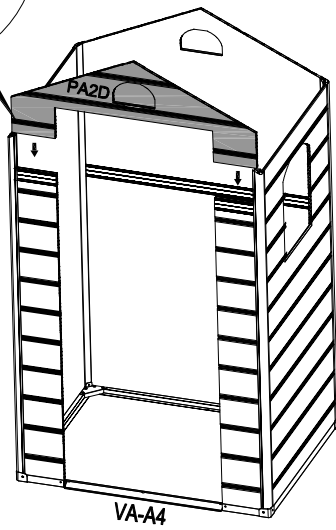
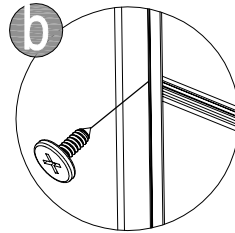
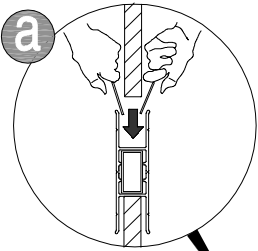
	 <p>PA3D [x1] 1160x896mm</p>	 <p>VA-A45 [x4] 19mm</p>	 <p>CN-A33</p>		
---	---	---	---	--	---

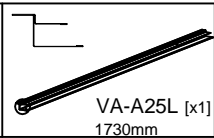
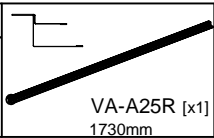
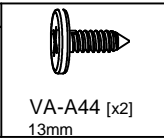


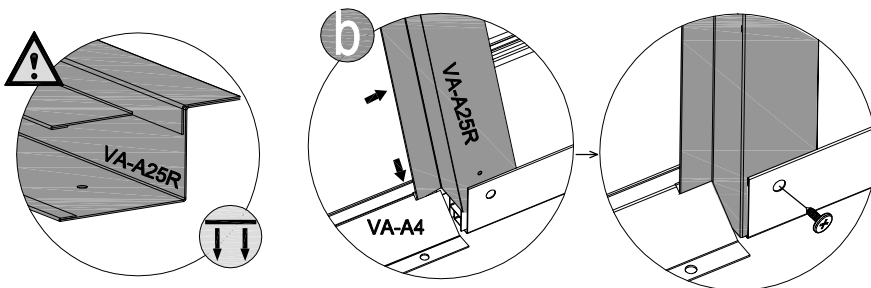
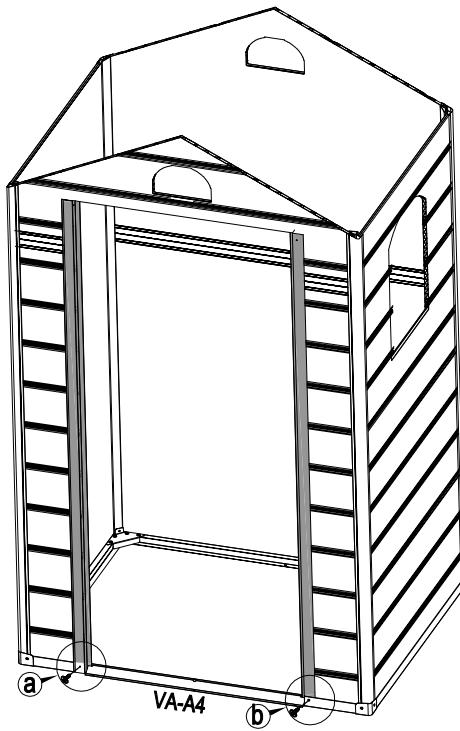
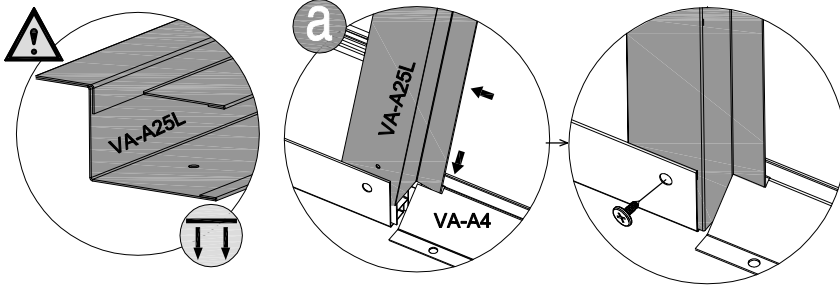
12					
	VA-A9 [x2] 200mm	VA-A12 [x2] 200mm			



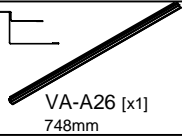
13					
	PA2D [x1] 1160x448mm	VA-A45 [x2] 19mm	CN-A33		



14	 VA-A25L [x1] 1730mm	 VA-A25R [x1] 1730mm	 VA-A44 [x2] 13mm	
----	---	---	--	--



15



VA-A26 [x1]  
748mm



PPX8 [x2]



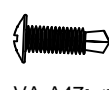
PPX9 [x2]



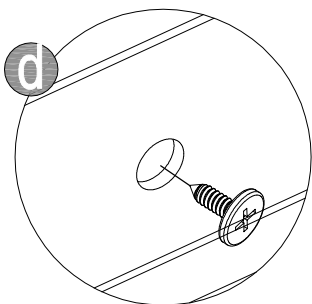
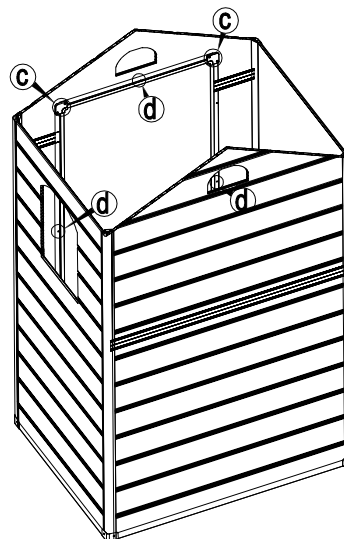
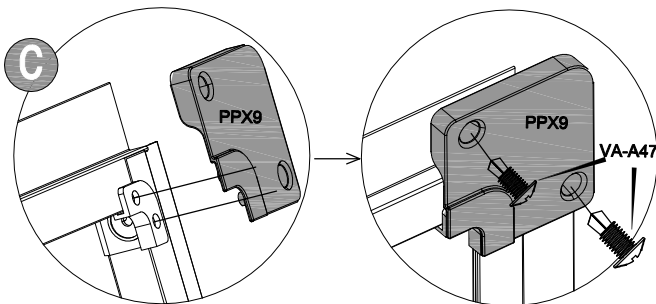
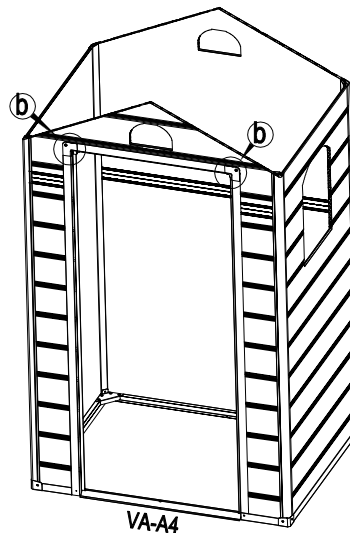
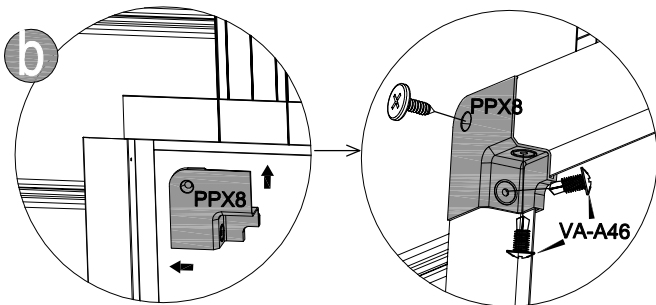
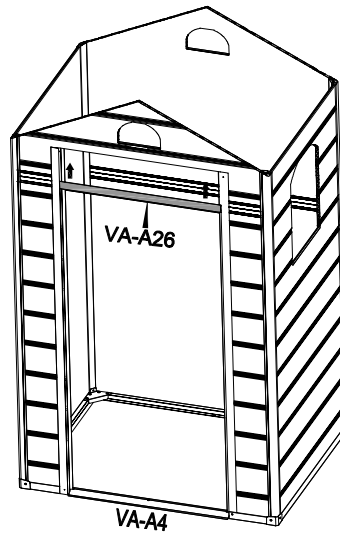
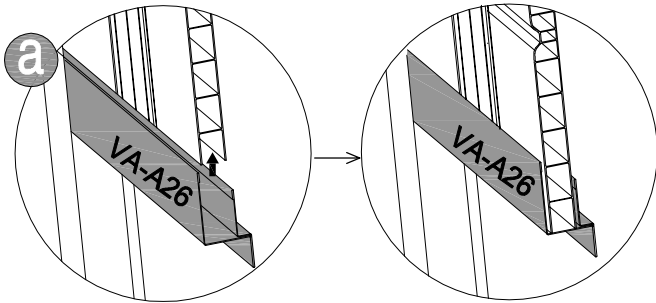
VA-A44 [x5]  
13mm





VA-A46 [x4]  
13mm

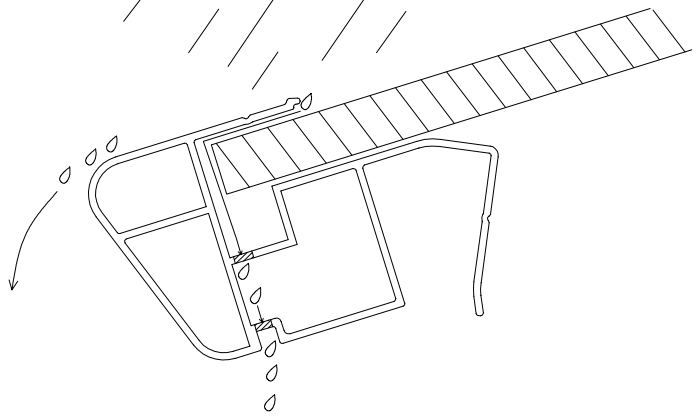
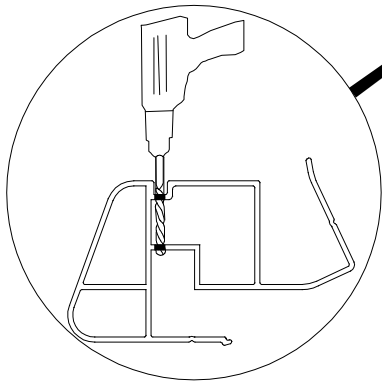
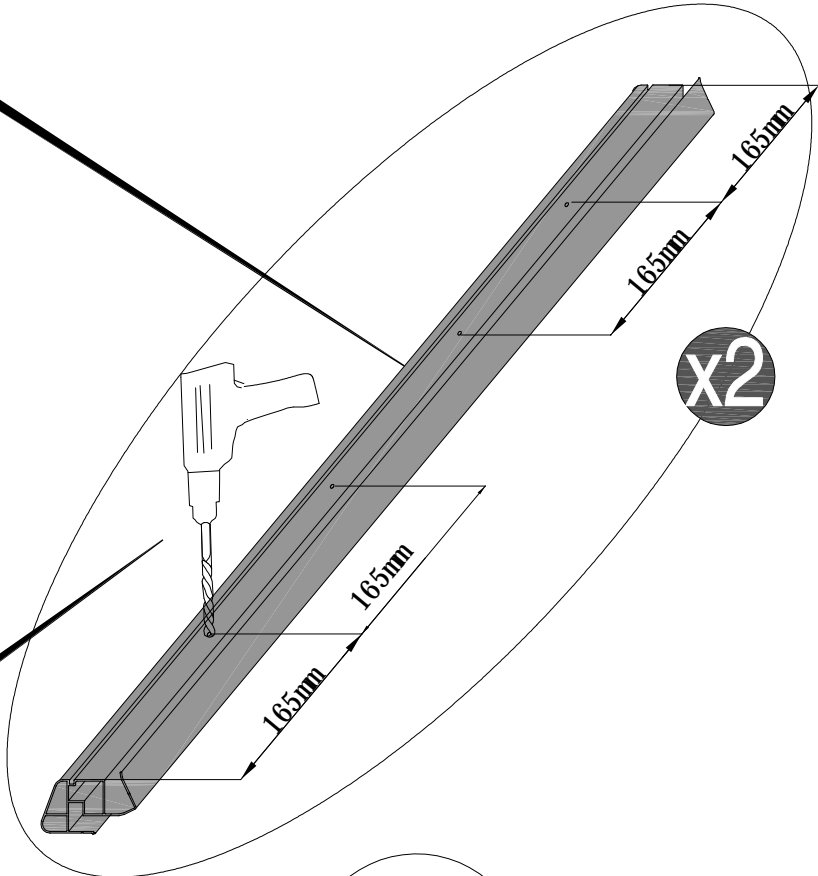


VA-A47 [x4]  
19mm

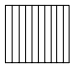
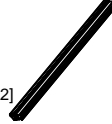



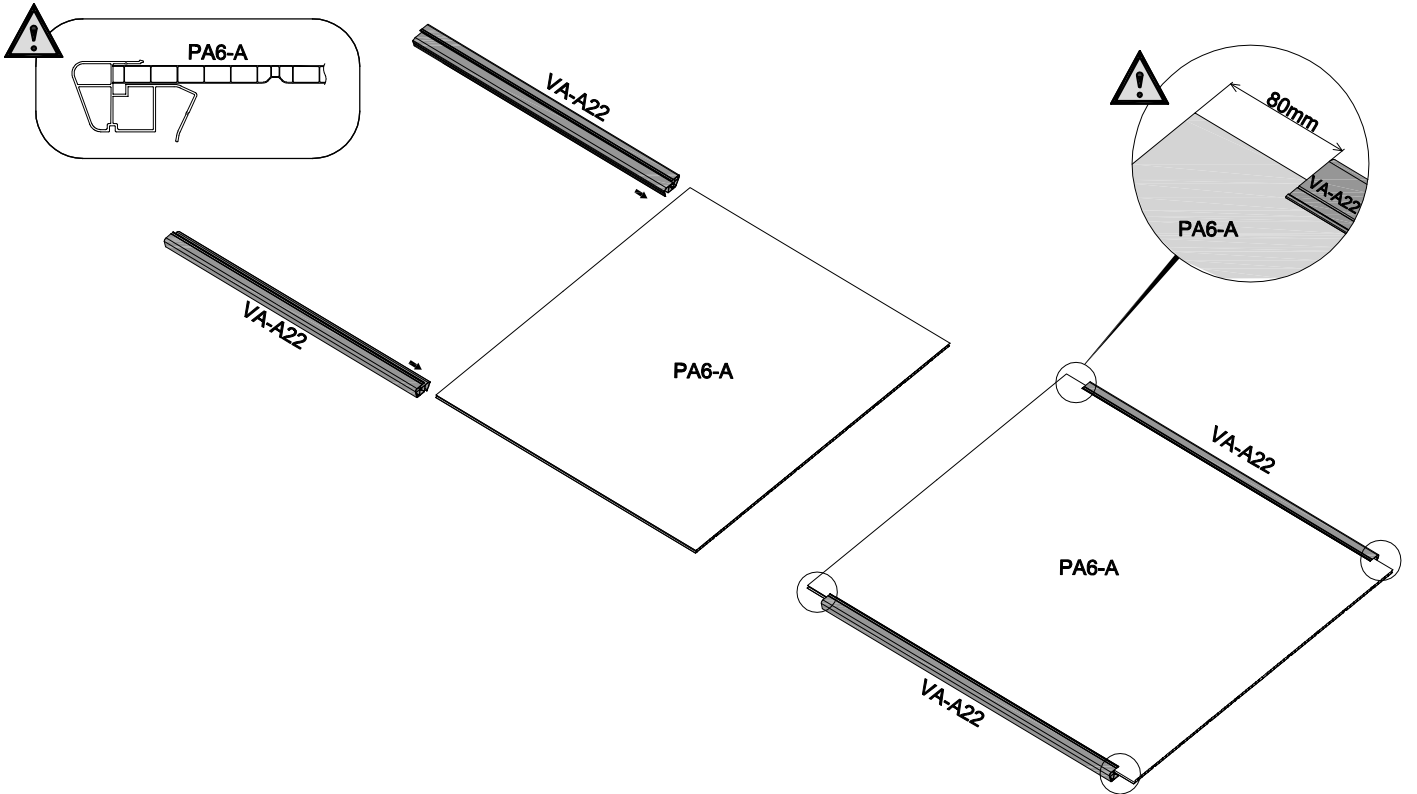
16	 VA-A22 [x2] 825mm	 Ø8mm		
----	---	---	--	--


 VA-A22 [x2] 825mm	 VA-A21 [x4] 600mm
--	---

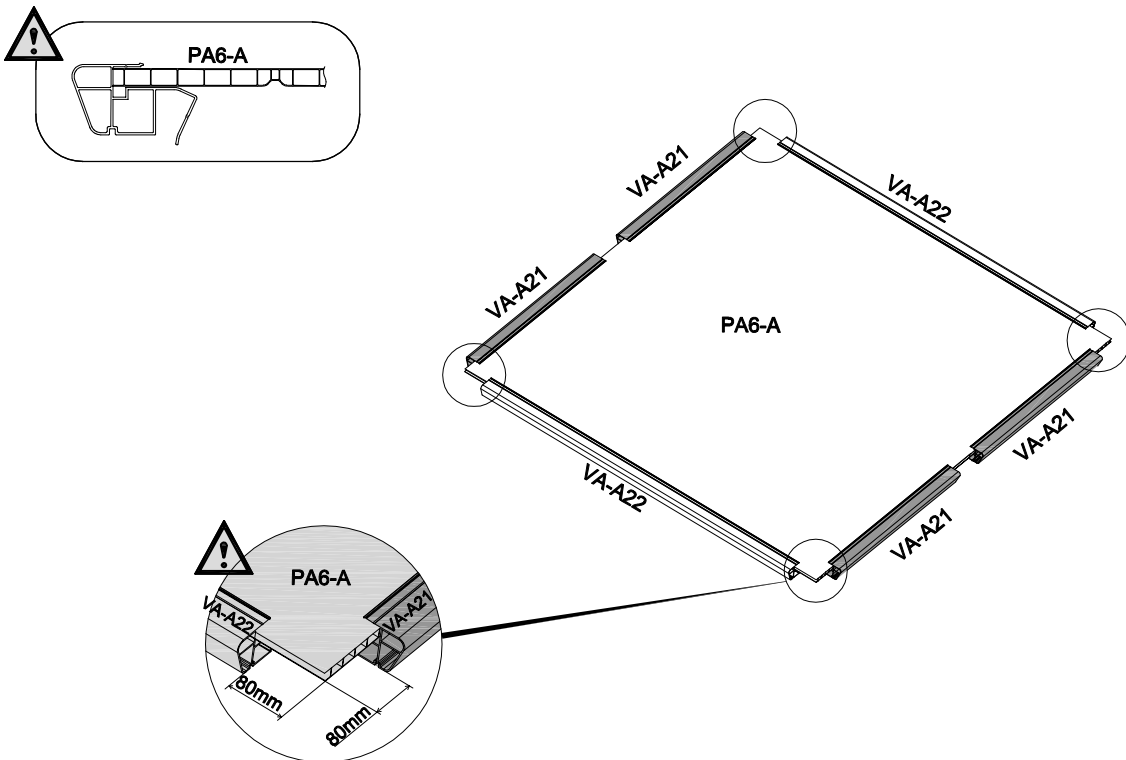




17	 PA6-A [x1] 985x1433mm	 VA-A22 [x2] 825mm	 CN-A33	
----	---	---	---	--



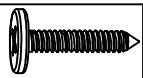
18	 VA-A21 [x4] 600mm	 CN-A33	
----	---	---	--



19



PPX3[x4]



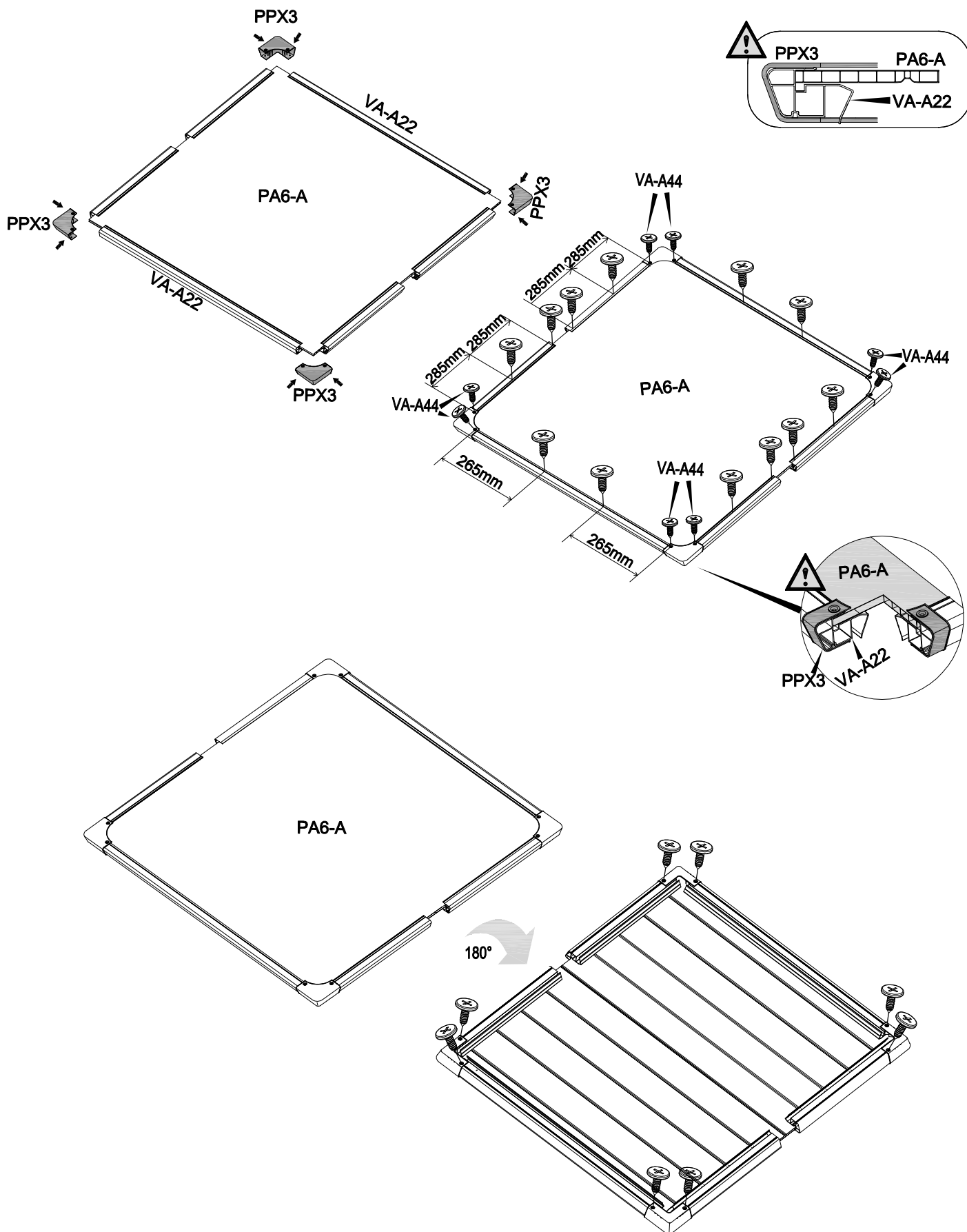
VA-A45 [x20]  
19mm



VA-A44 [x8]  
13mm



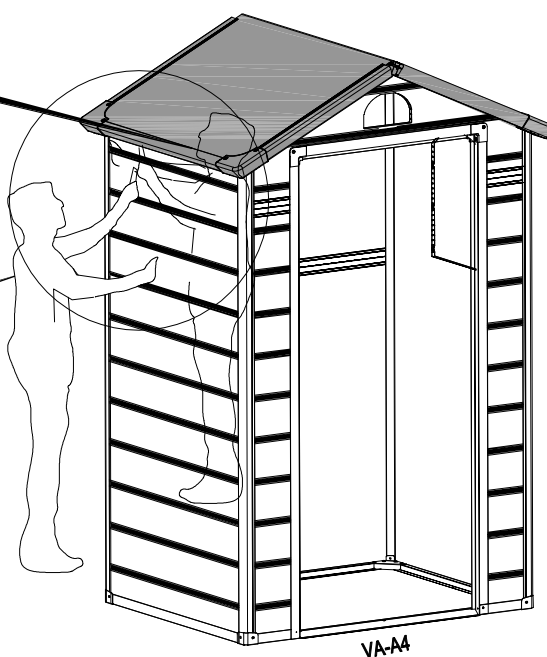
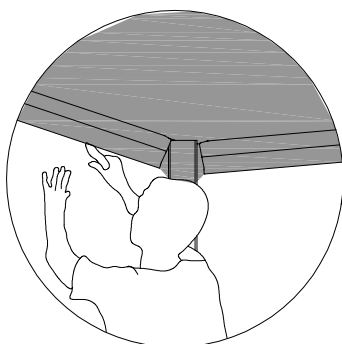
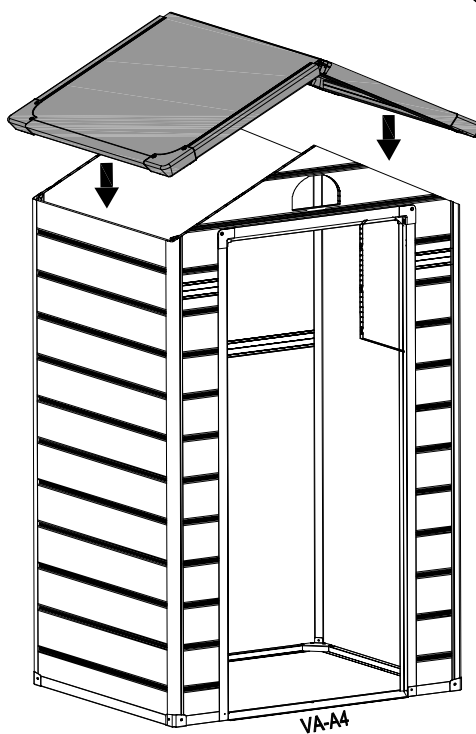
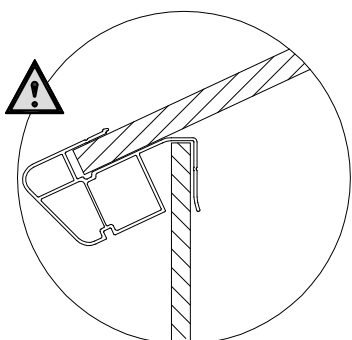
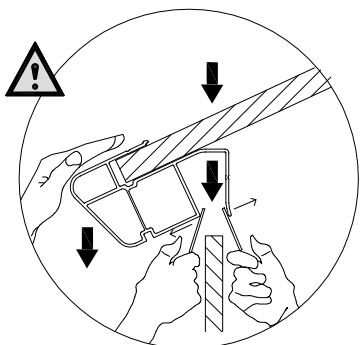
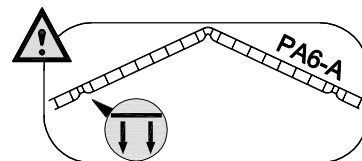
CN-A33



20



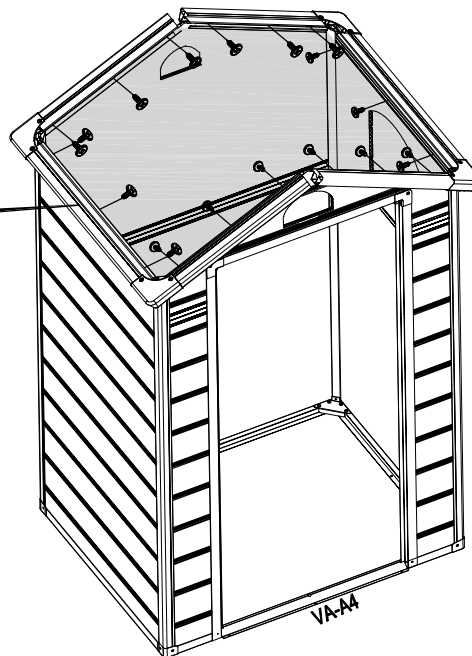
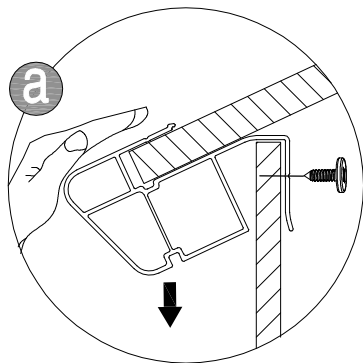
CN-A33



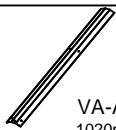
21



VA-A45 [x18]  
19mm



22



VA-A24 [x1]  
1020mm



PPX4 [x2]



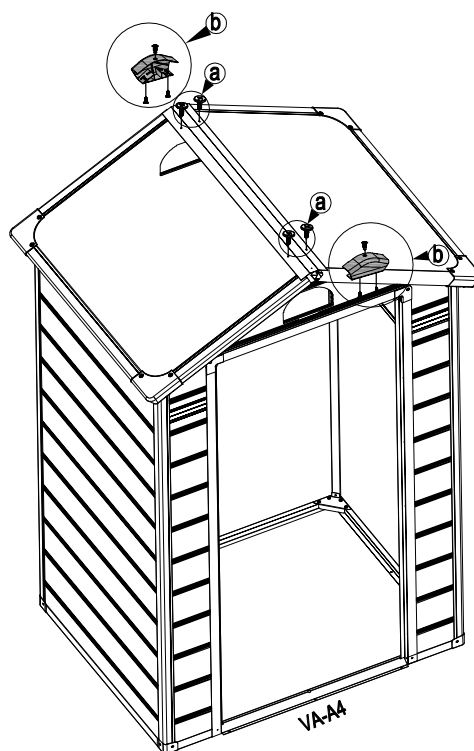
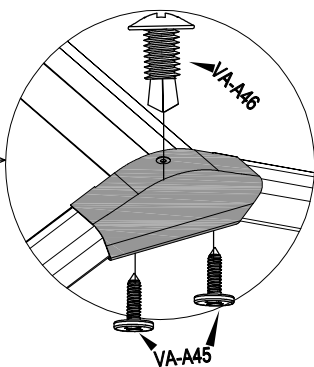
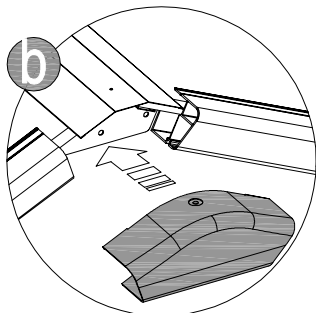
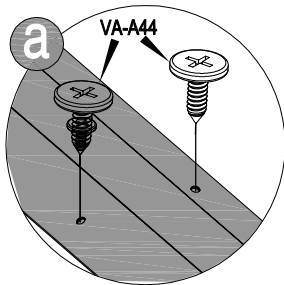
VA-A44 [x4]  
13mm



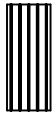
VA-A45 [x4]  
19mm



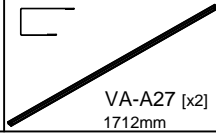
VA-A46 [x2]  
13mm



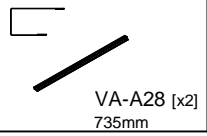
23



PA7S [x1]  
1710x735mm



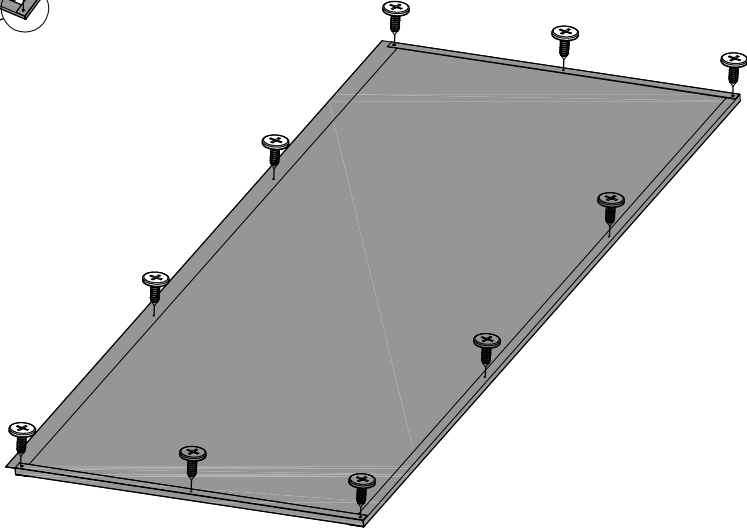
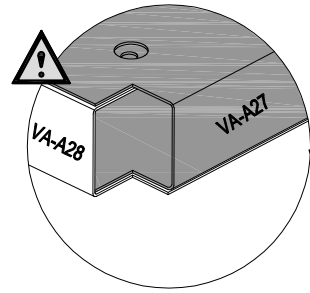
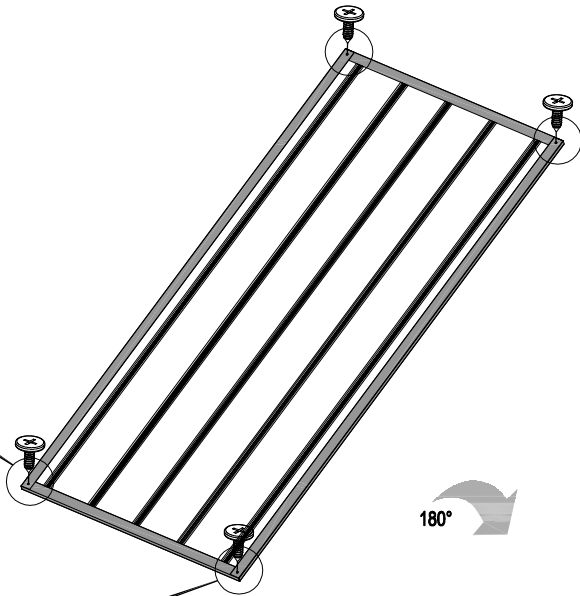
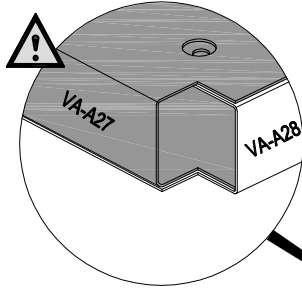
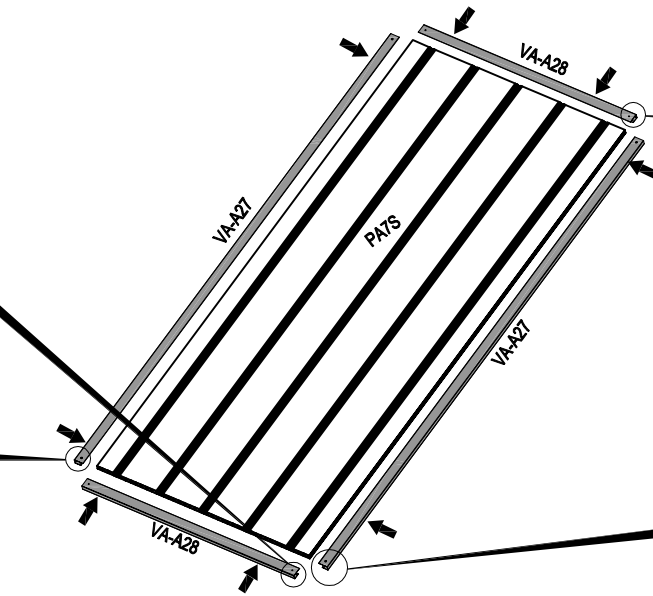
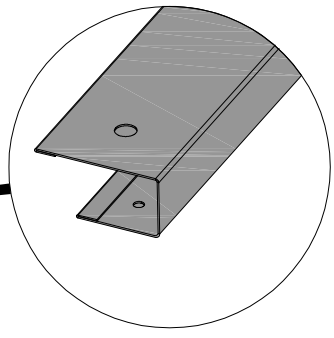
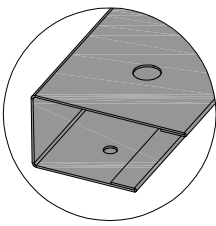
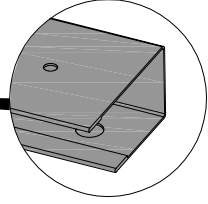
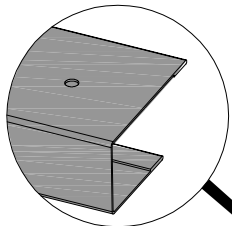
VA-A27 [x2]  
1712mm



VA-A28 [x2]  
735mm



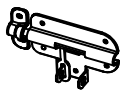
VA-A44 [x14]  
13mm



24



VA-41 [x2]



VA-40 [x1]



PA01 [x3]



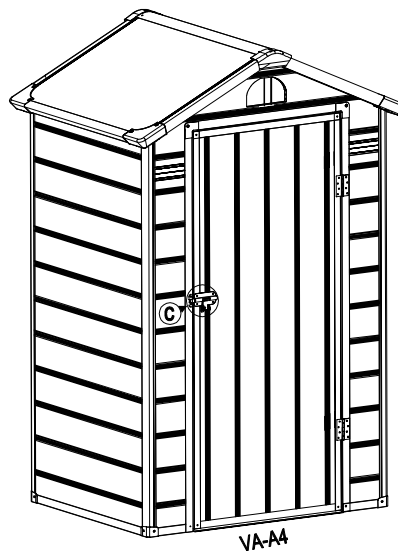
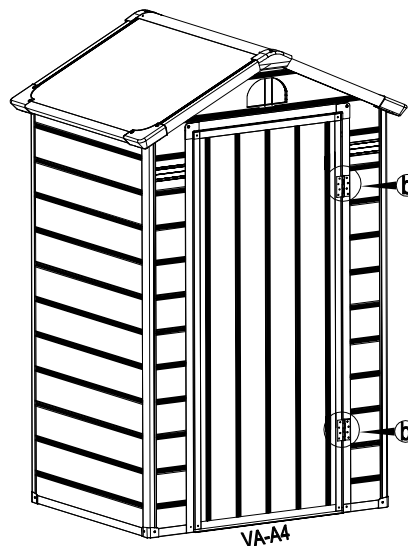
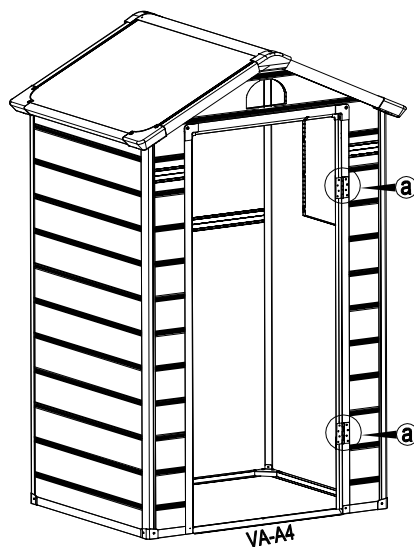
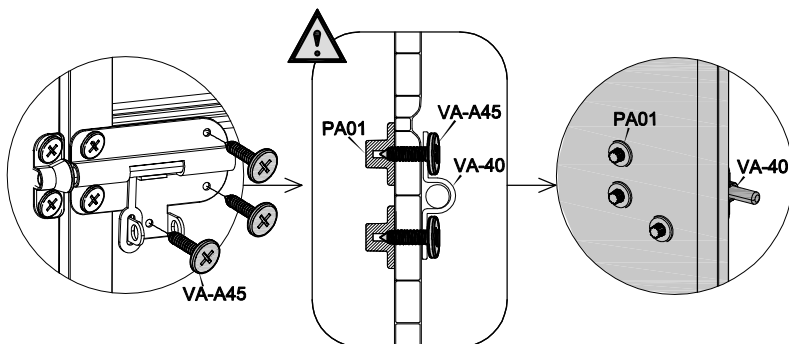
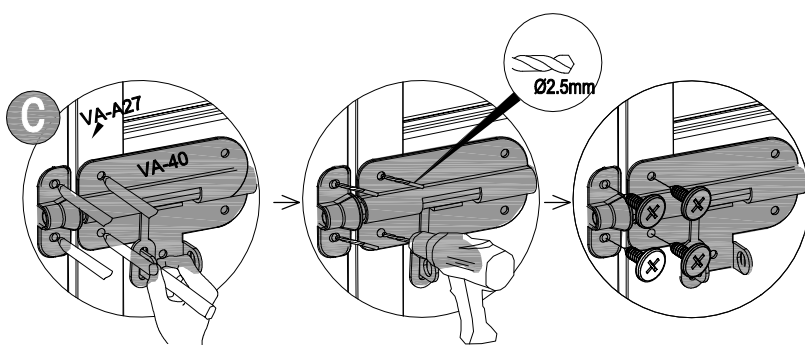
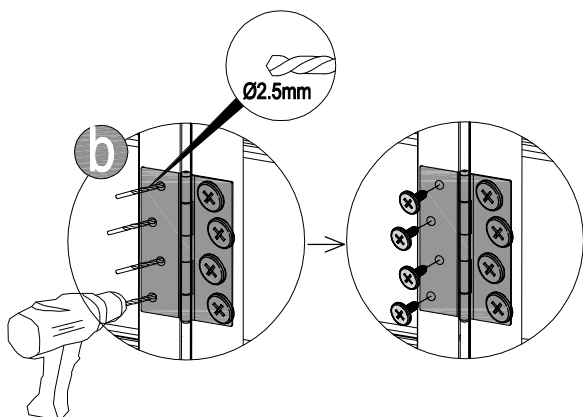
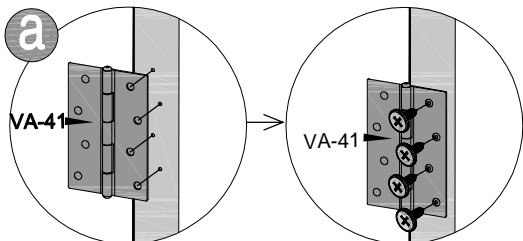
VA-A44 [x20]  
12mm



VA-A45 [x3]  
19mm



Ø2.5mm



25



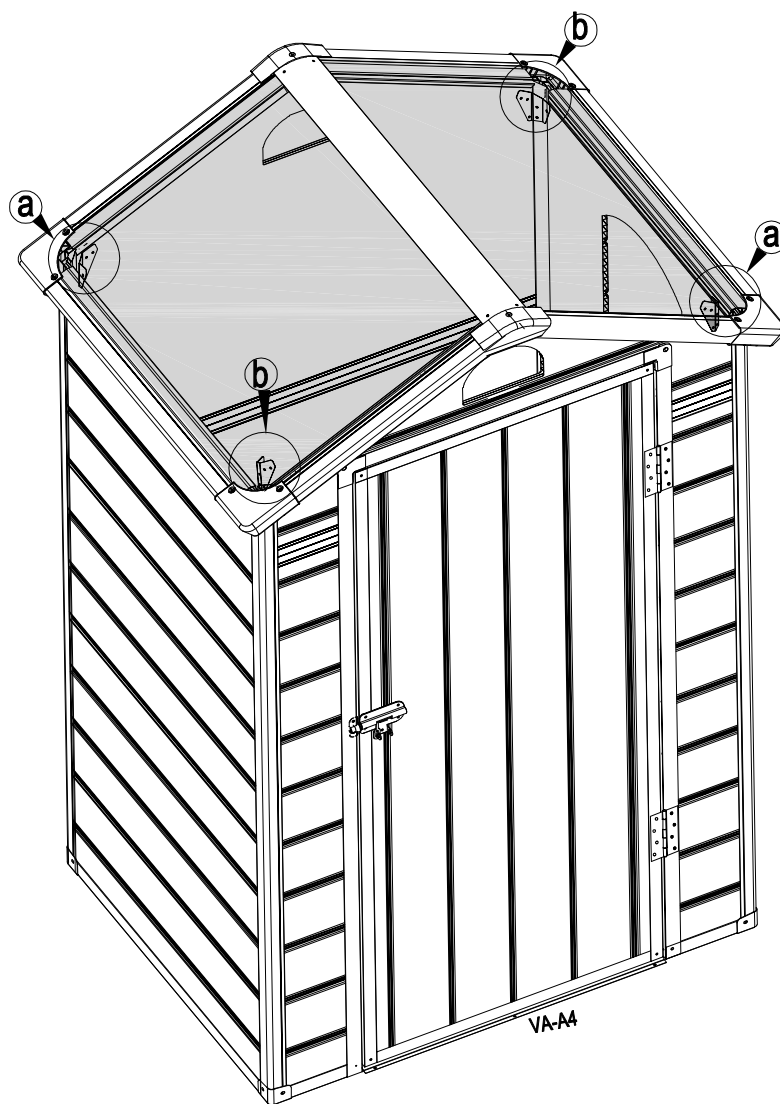
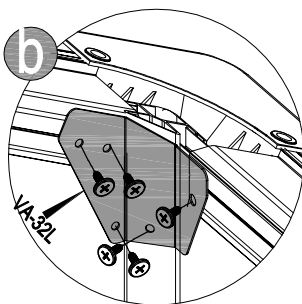
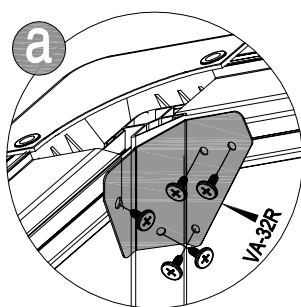
VA-32L [x2]










VA-32R [x2]



VA-A44 [x20]  
13mm



26	 PPX14 [x2]	 PPX12 [x1]	 PPX13 [x1]	 W2S [x1]	 VA-51 [x1]	 VA-A44 [x10] 13mm	
----	---	---	---	---	--	---	---

