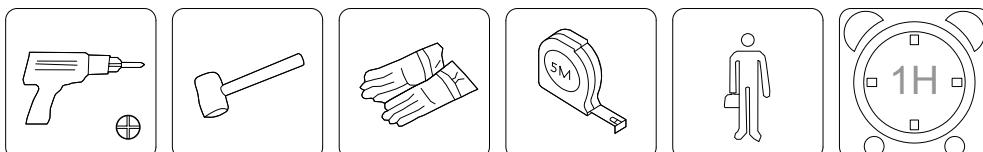
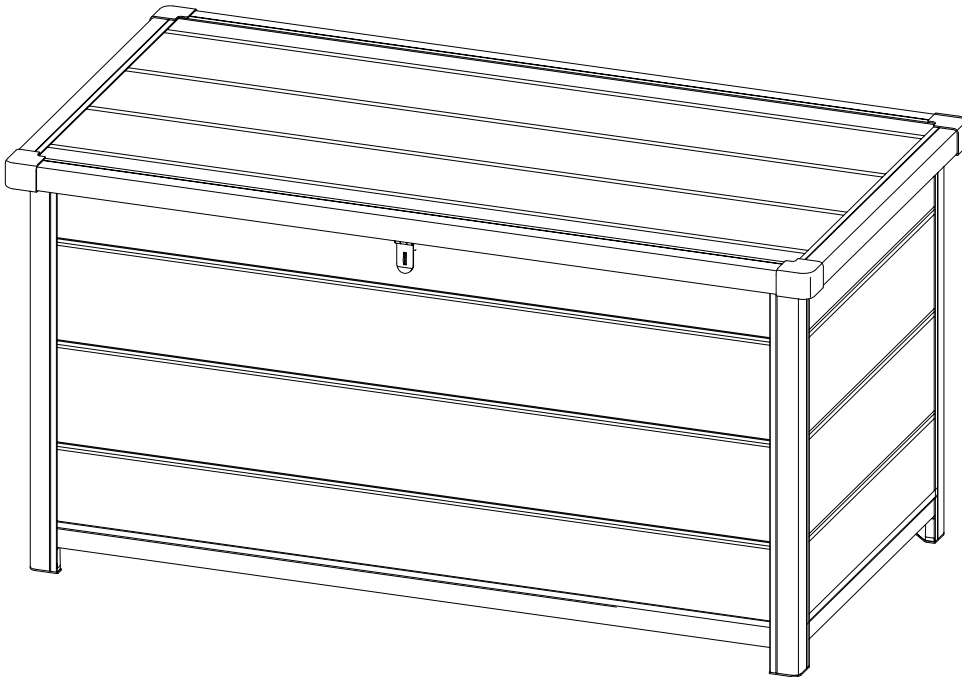
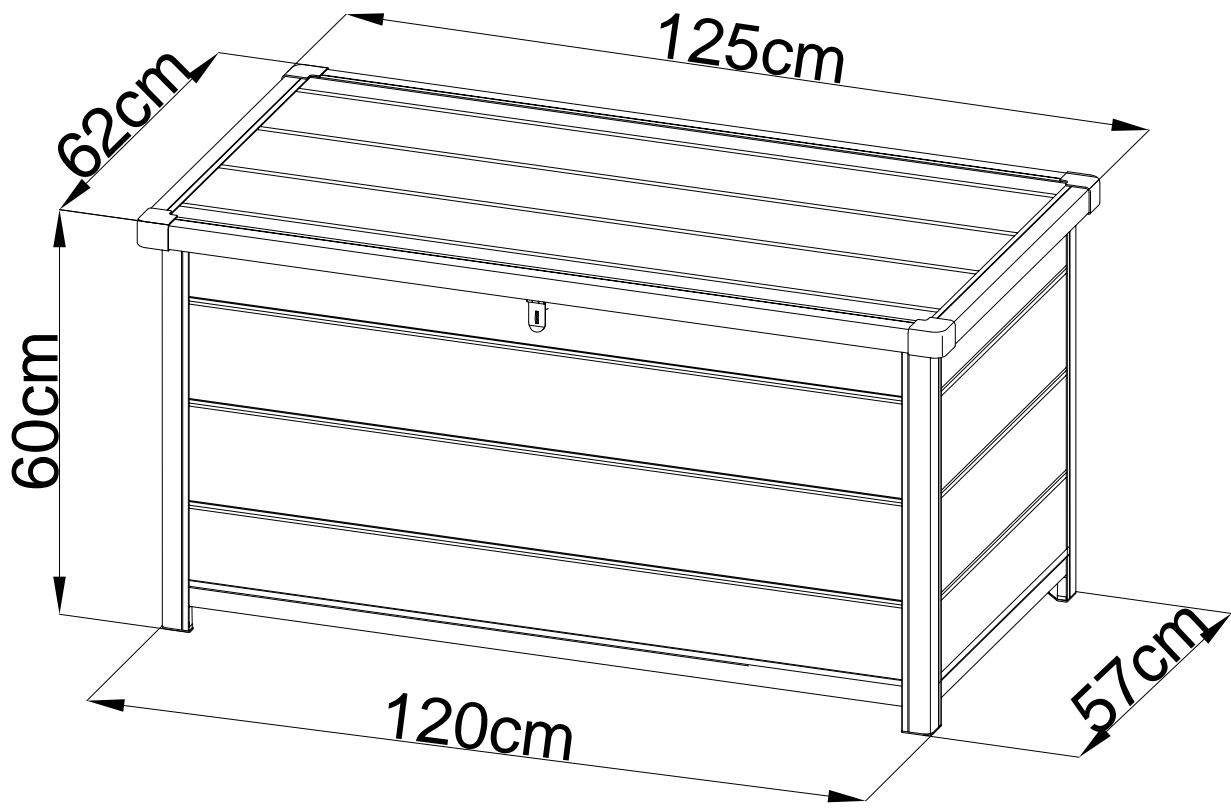


Airevale Plastic Cushion Box

Light Grey: SS551

Dark Grey: SS552

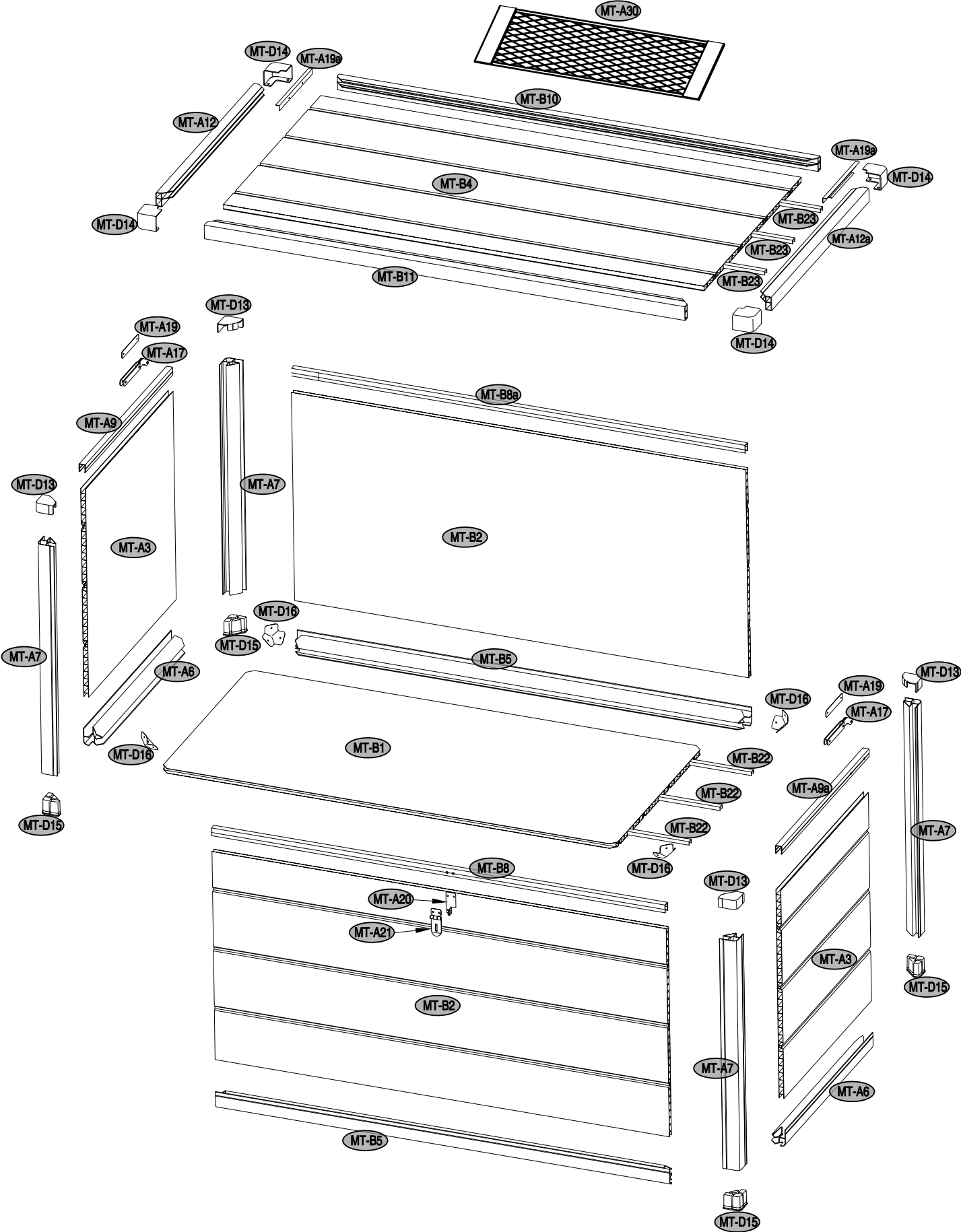




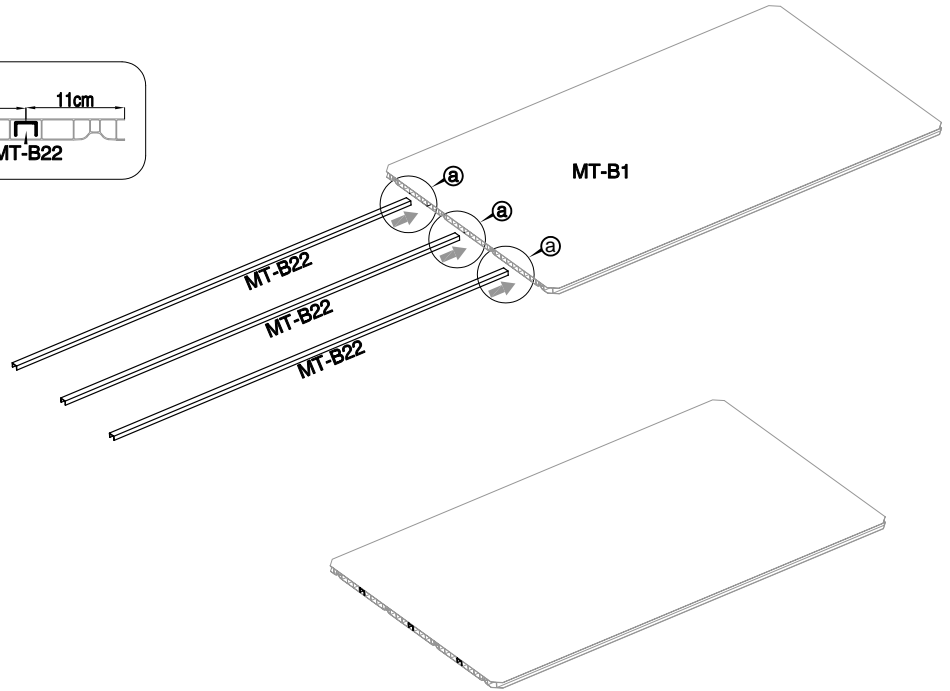
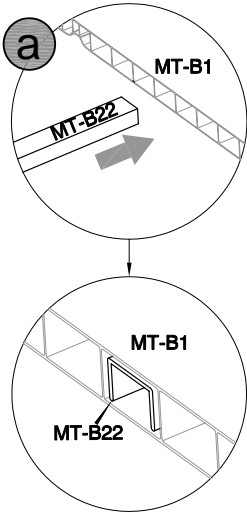
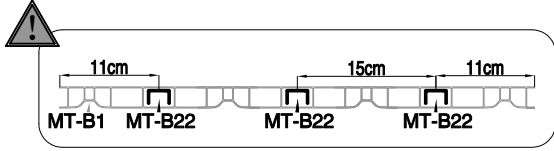
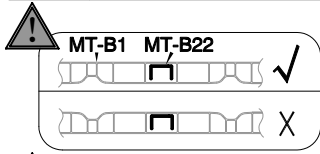
Area of installation requirement:




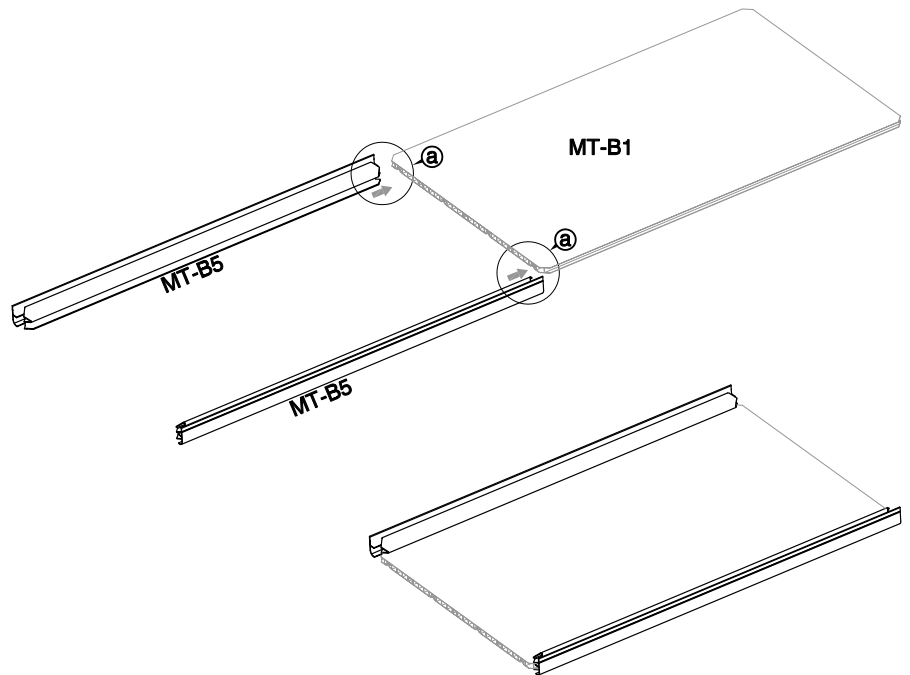
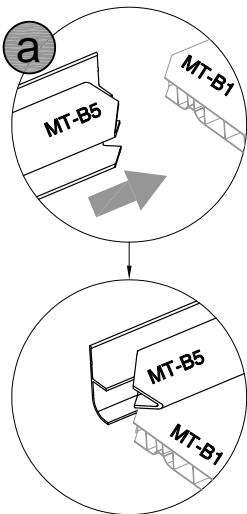
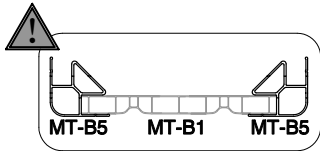
Mat-B:



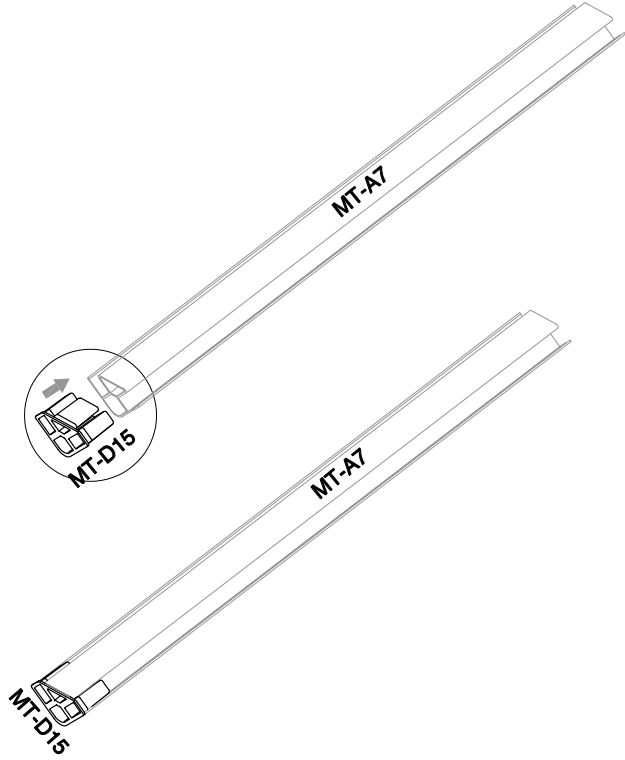
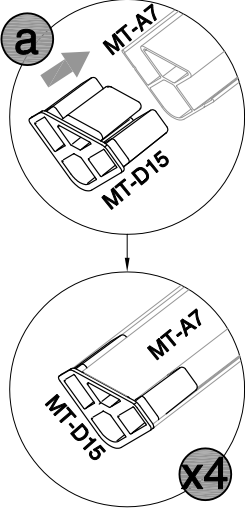
1	 MT-B1 [x1]	 MT-B22 [x3]
----------	---	--



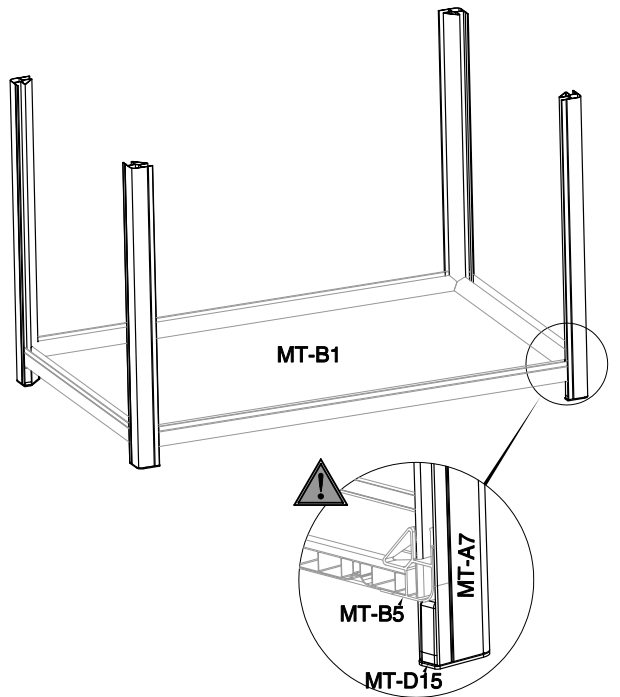
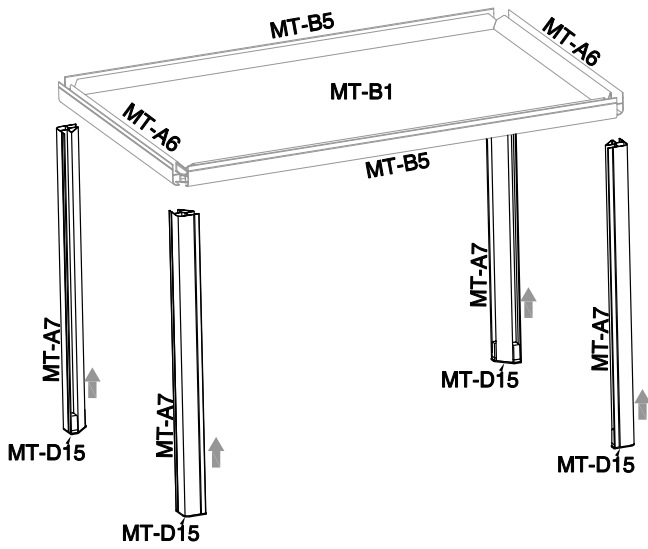
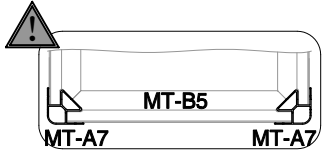
2	 MT-B5 [x2]
----------	---



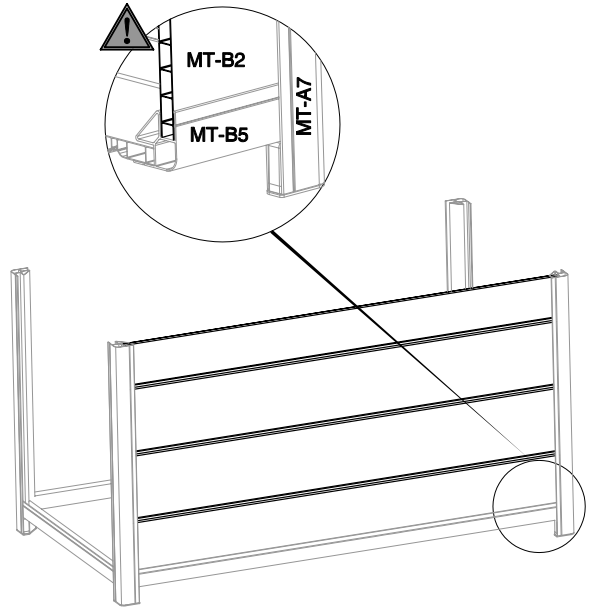
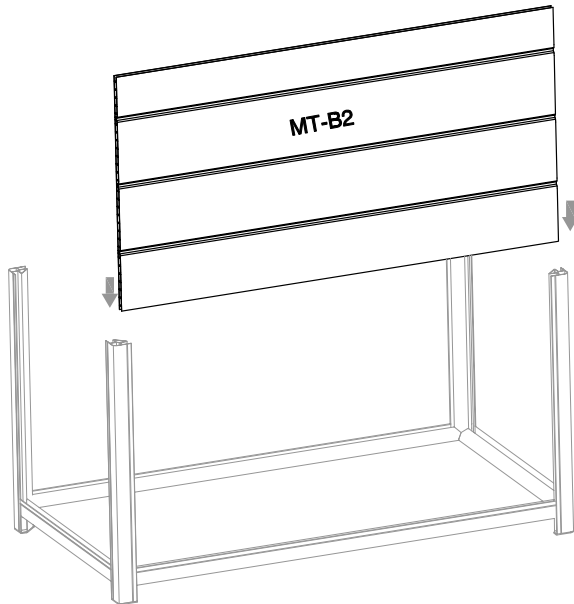
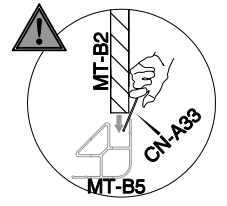
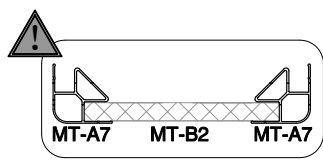
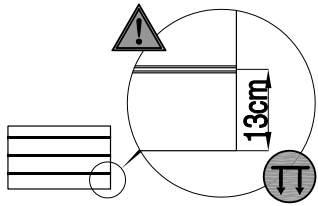
5	 MT-A7 [x4]	 MT-D15 [x4]	
----------	---	--	--

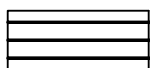
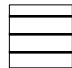



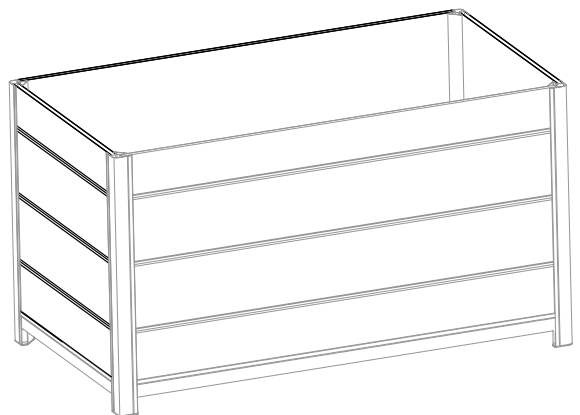
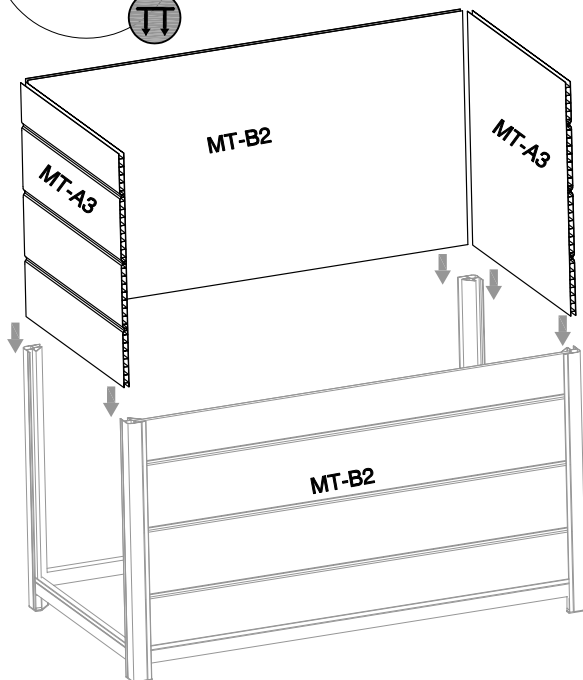
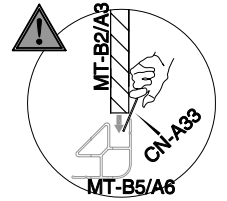
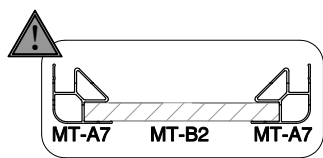
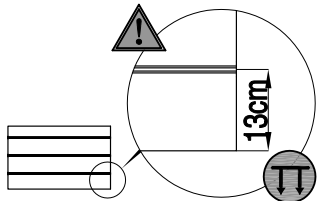
6			
----------	--	--	--



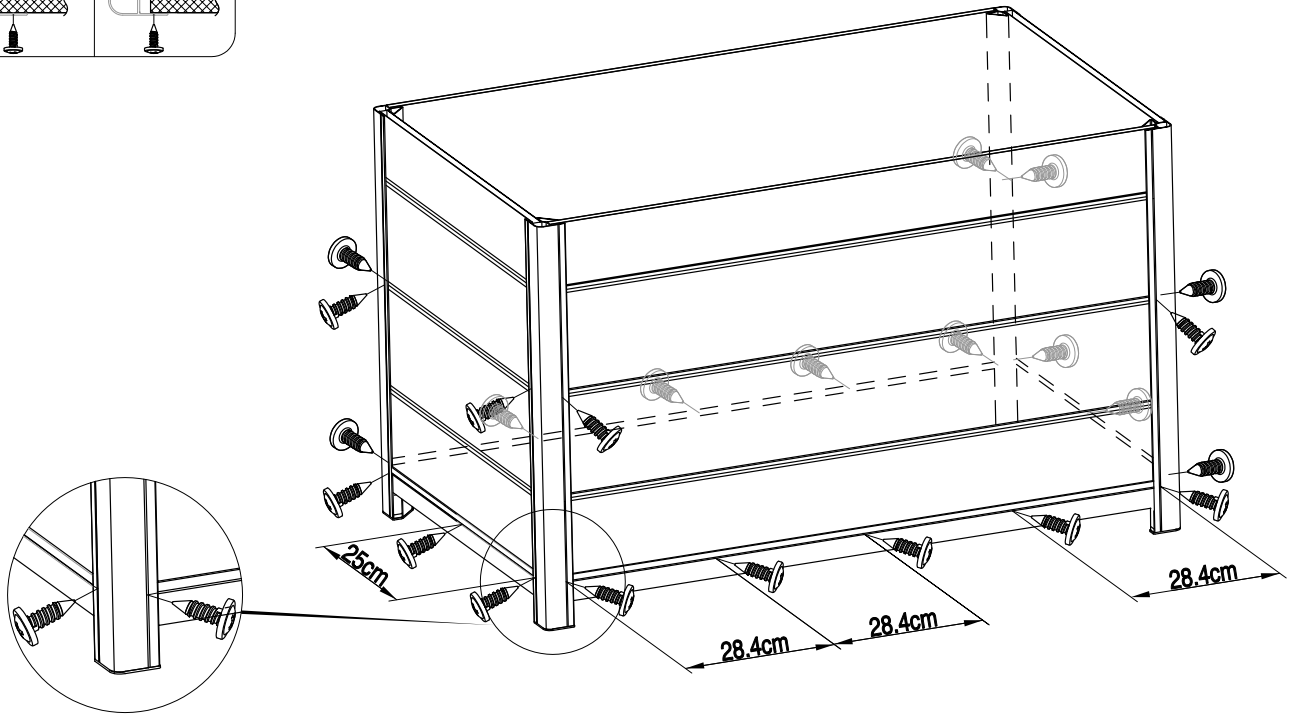
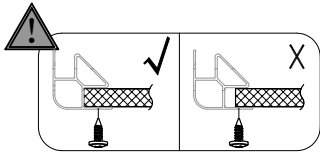
7	 MT-B2 [x1]	 CN-A33	
----------	---	---	--



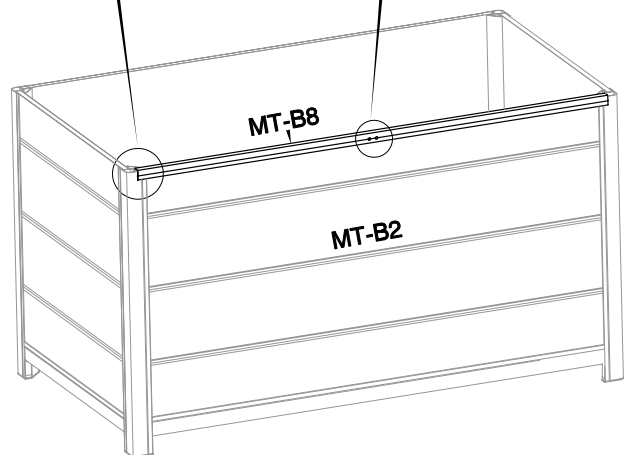
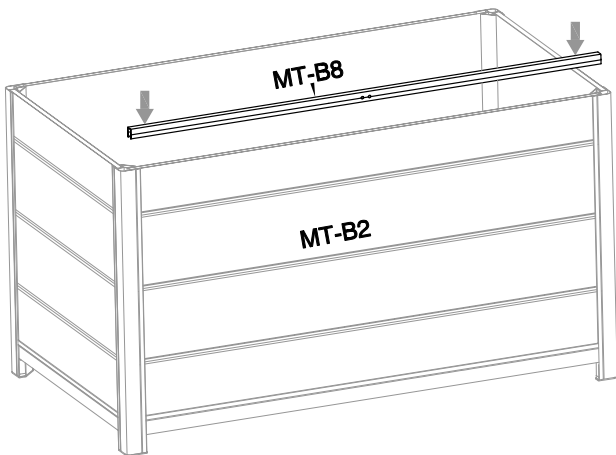
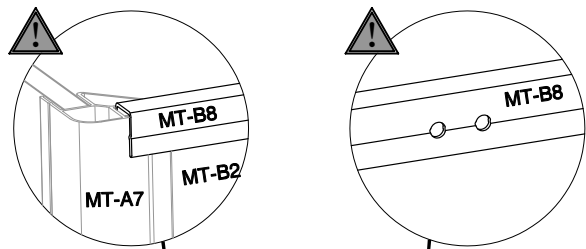
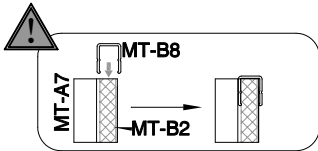
8	 MT-B2 [x1]	 MT-A3 [x2]	 CN-A33	
----------	---	---	---	--

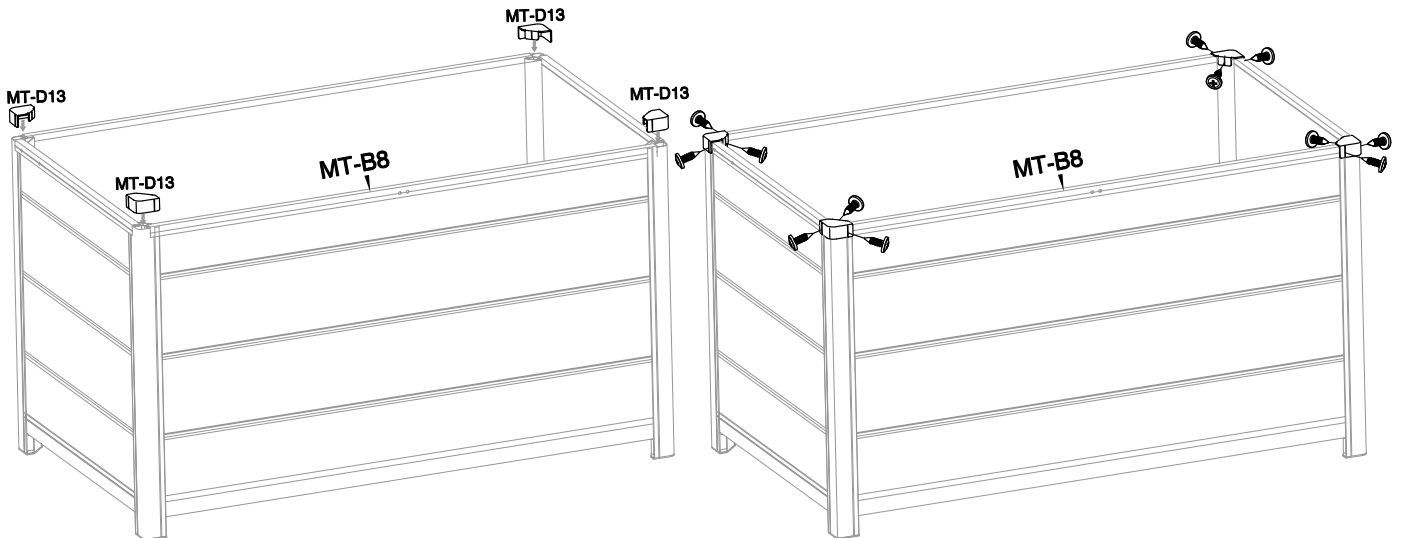
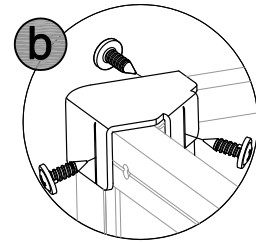
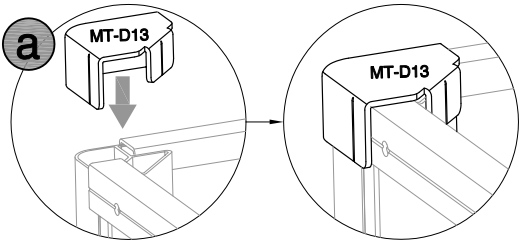
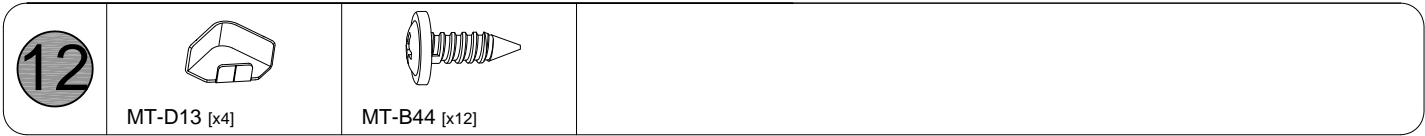
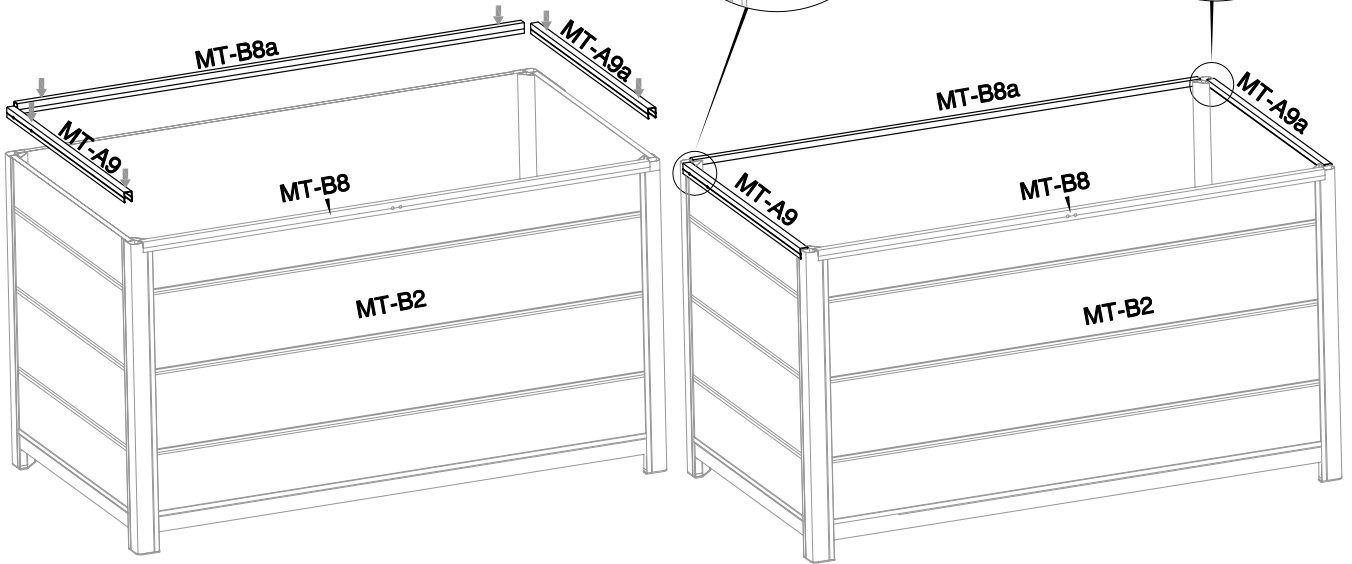
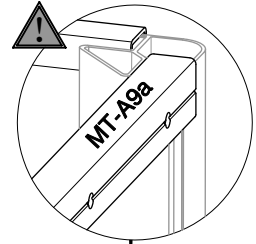
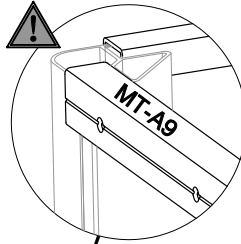
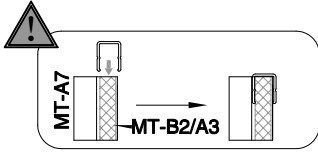
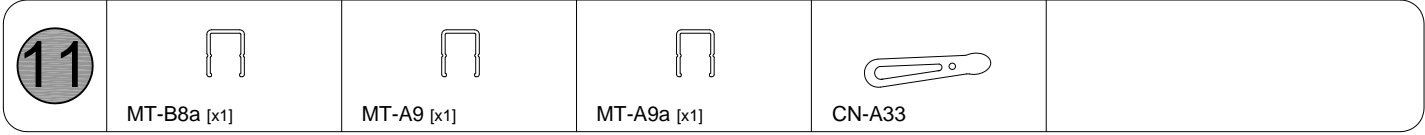


9		
	MT-B44 [x24]	

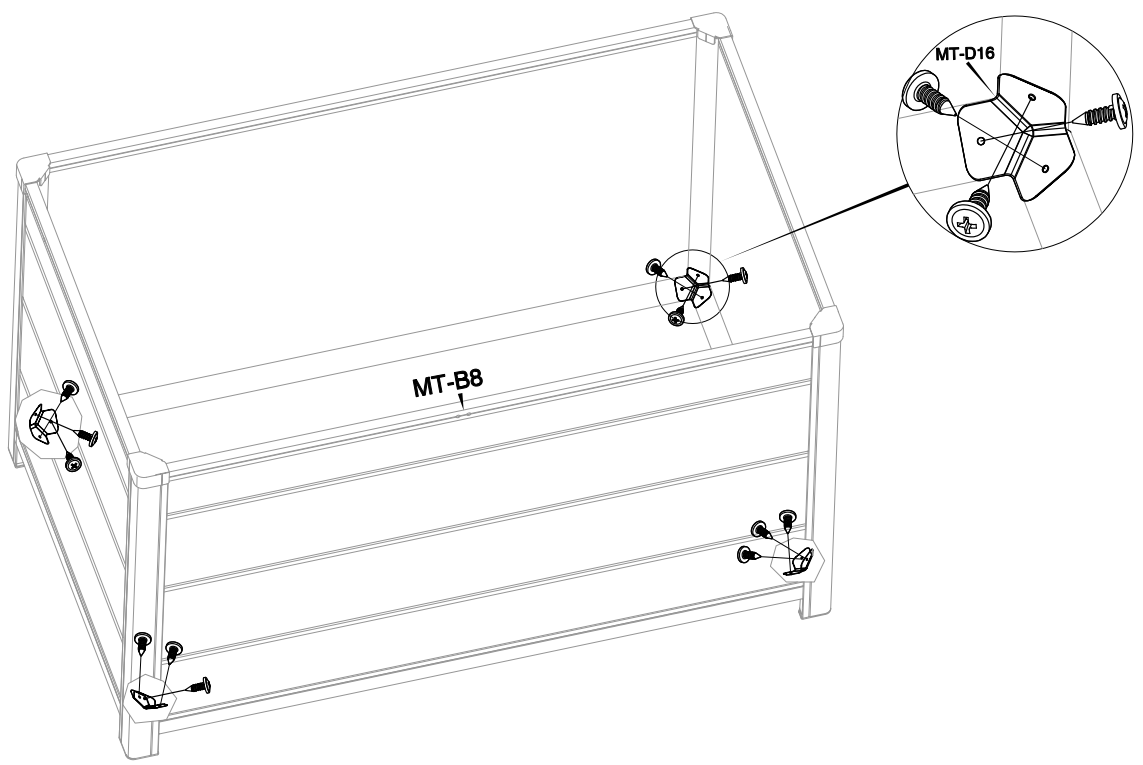


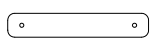

10			
	MT-B8 [x1]	CN-A33	

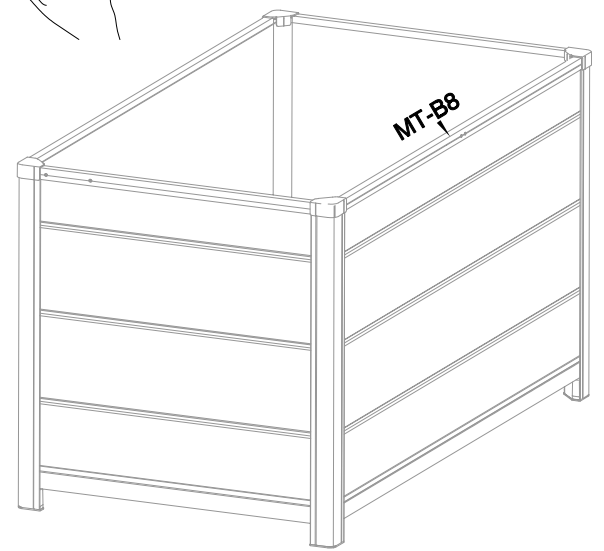
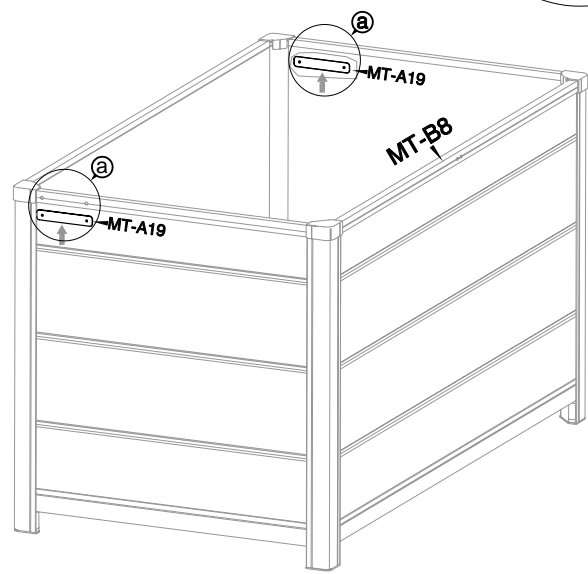
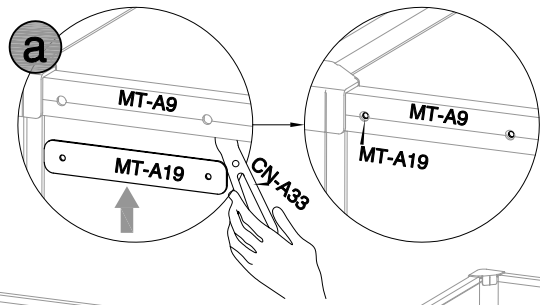
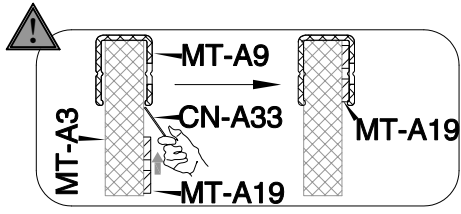


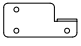

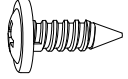


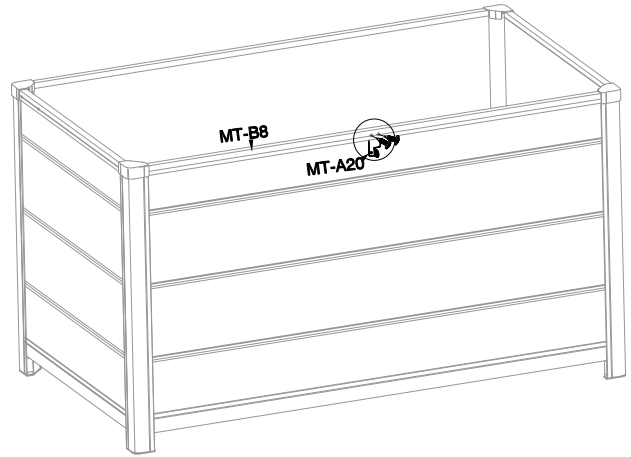
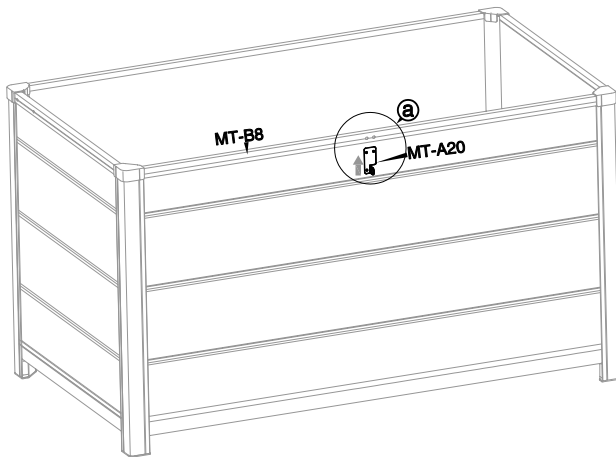
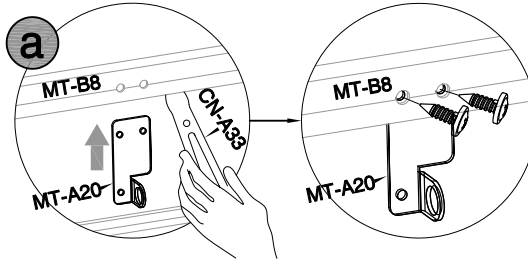
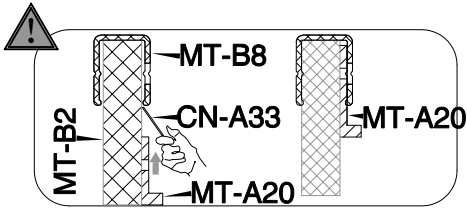
<p>13</p>	 <p>MT-D16 [x4]</p>	 <p>MT-B44 [x12]</p>	
------------------	--	---	--

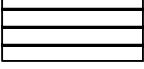



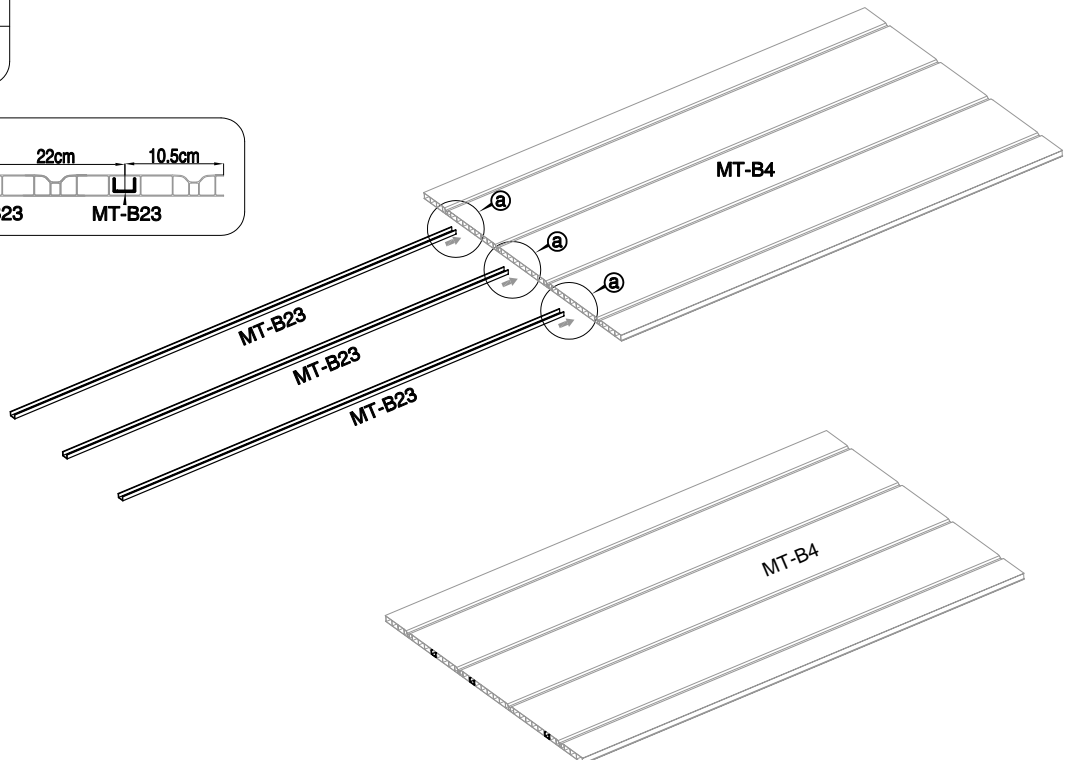
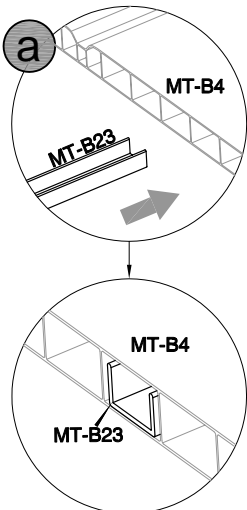
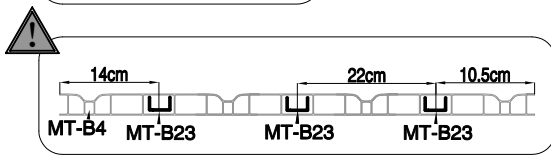
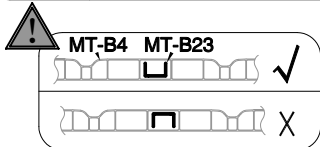
<p>14</p>	 <p>MT-A19 [x2]</p>	 <p>CN-A33</p>	
------------------	--	---	--

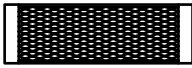
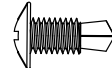



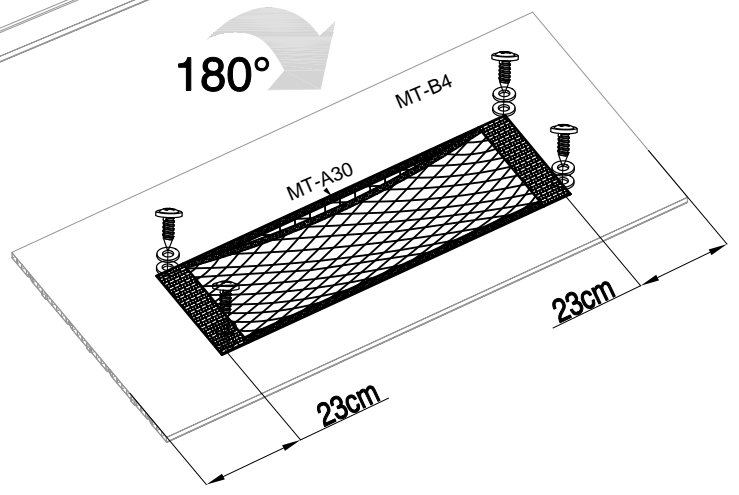
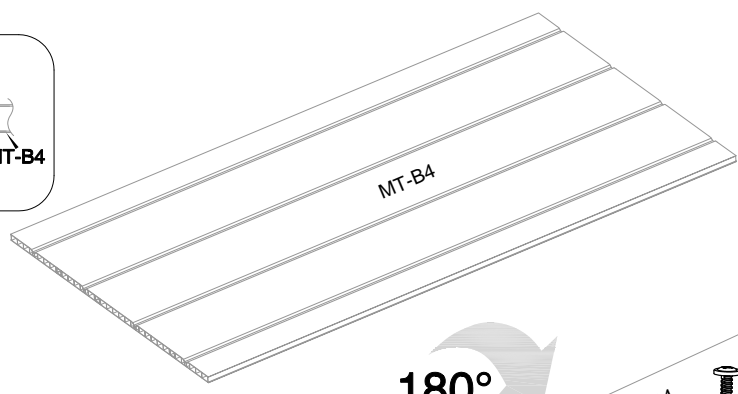
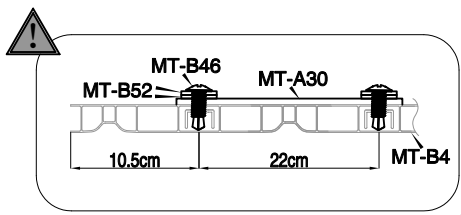
15	 MT-A20 [x1]	 CN-A33	 MT-B44 [x2]
-----------	--	---	--



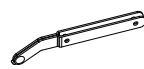
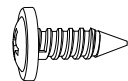


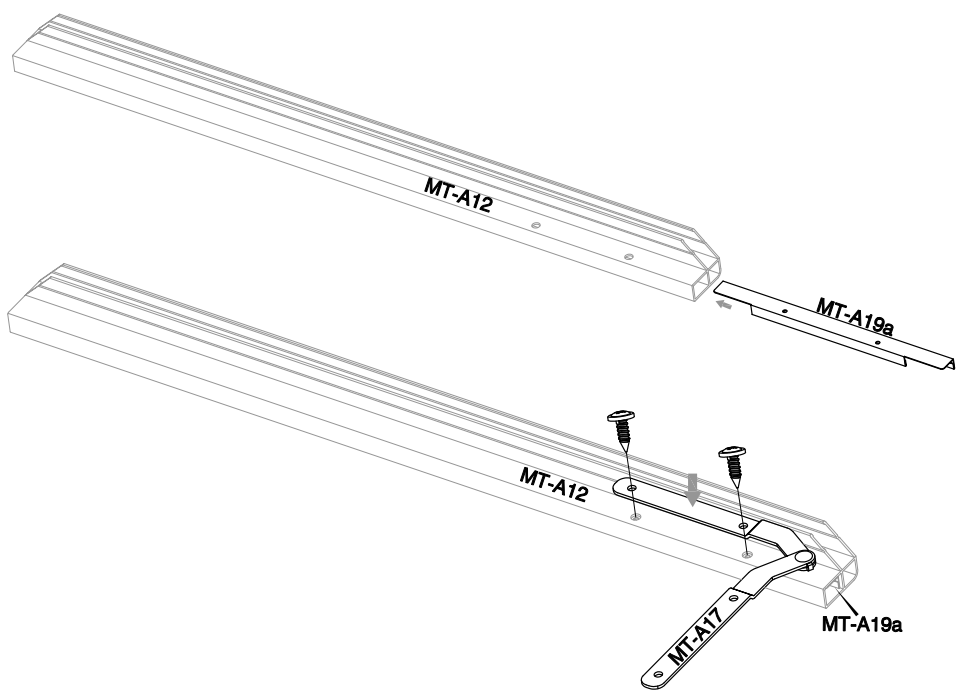
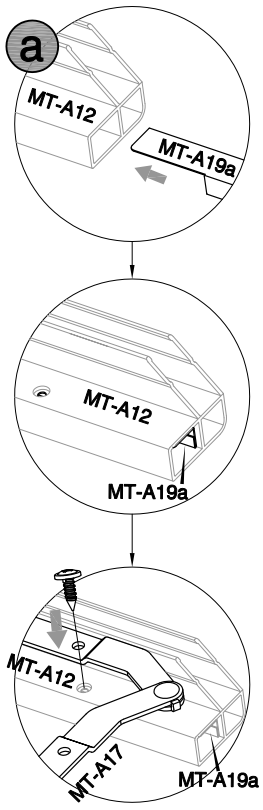
16	 MT-B4 [x1]	 MT-B23 [x3]
-----------	---	--

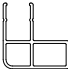

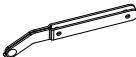
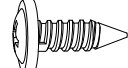


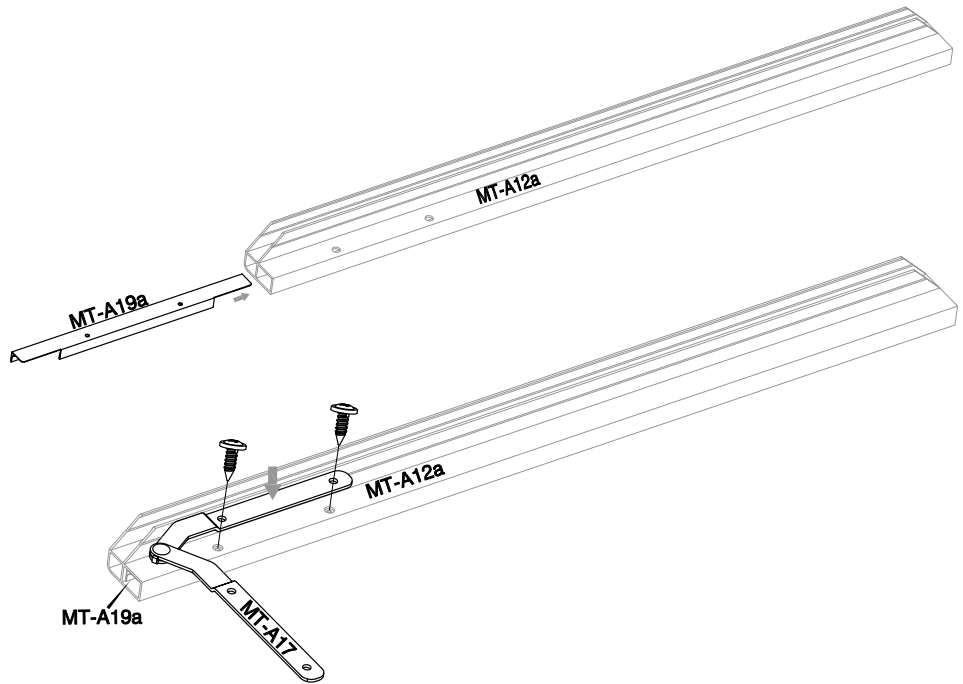
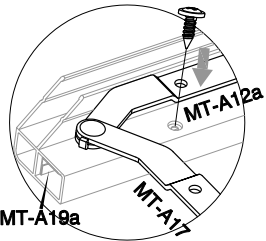
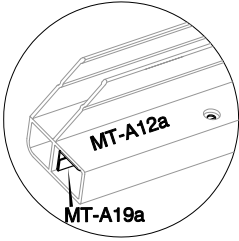
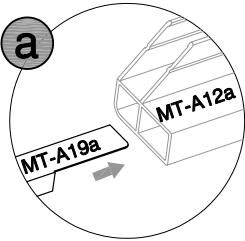
17	 MT-A30 [x1]	 MT-B46 [x4]	 MT-B52 [x8]	
----	--	--	--	--



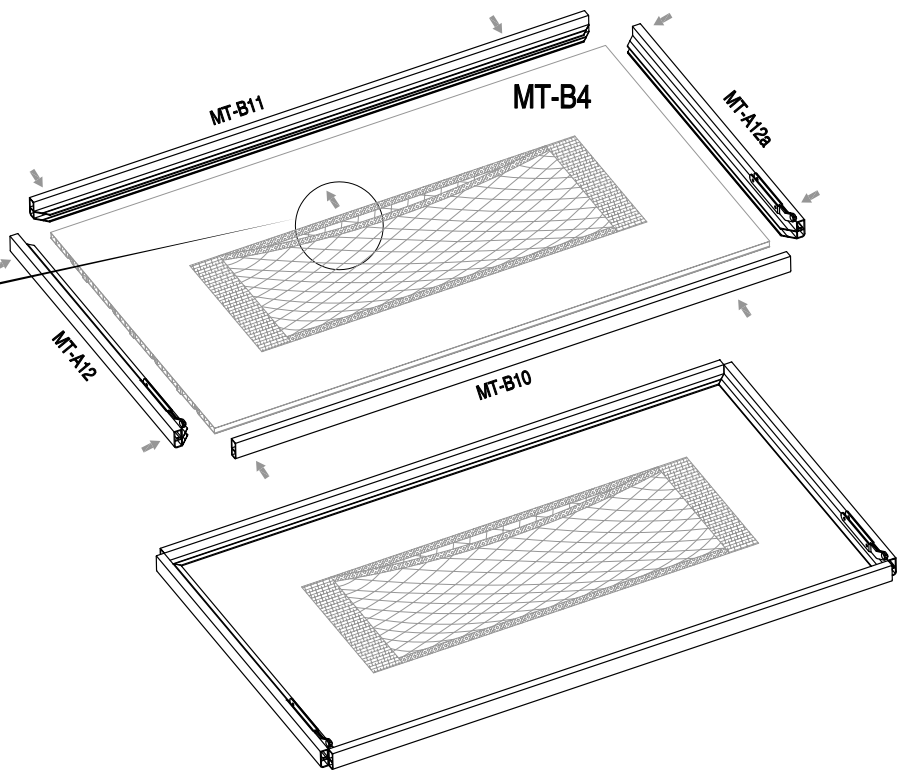
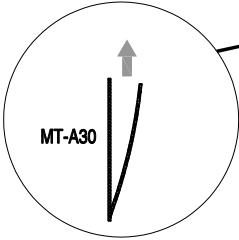
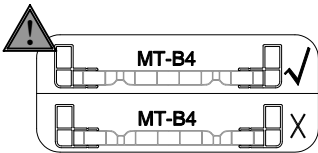
18	 MT-A12 [x1]	 MT-A19a [x1]	 MT-A17 [x1]	 MT-B44 [x2]	
----	--	---	--	---	--



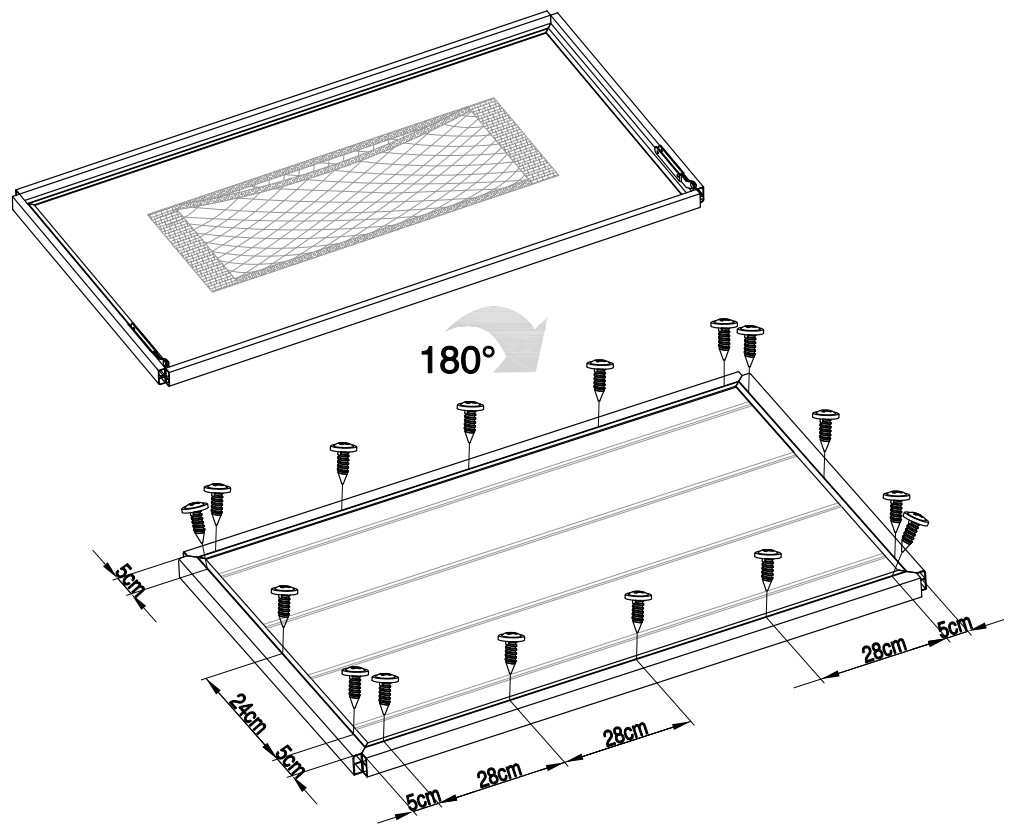
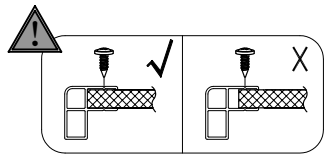
19	 MT-A12a [x1]	 MT-A19a [x1]	 MT-A17 [x1]	 MT-B44 [x2]	
----	---	---	--	---	--




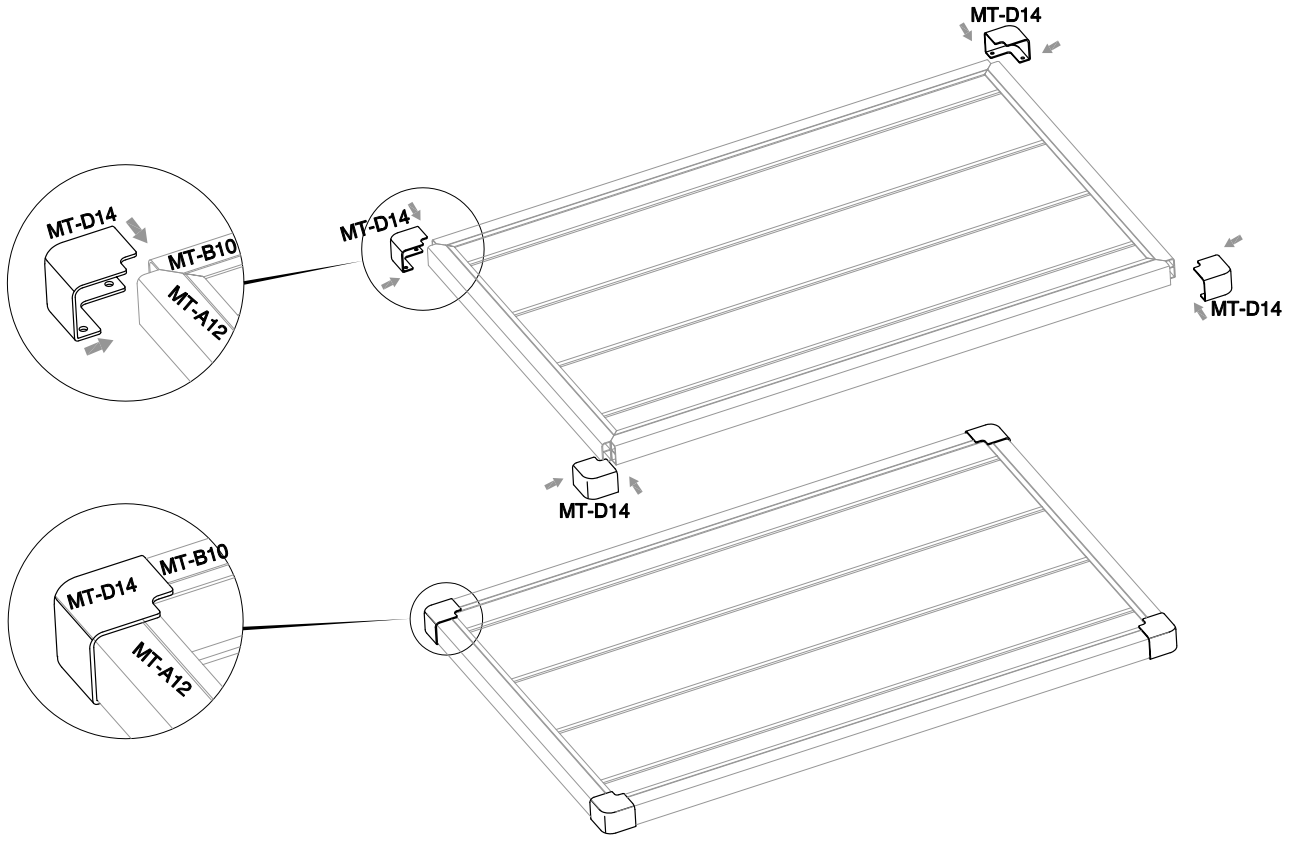
20	 MT-B10 [x1]	 MT-B11 [x1]	
----	--	--	--



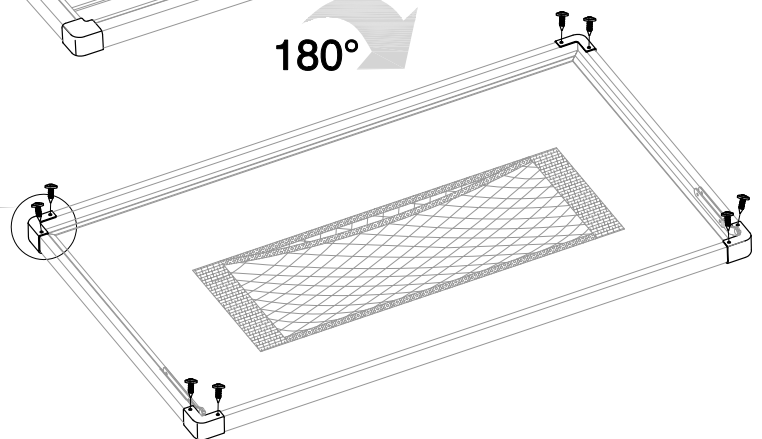
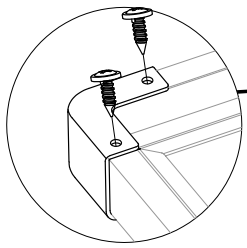
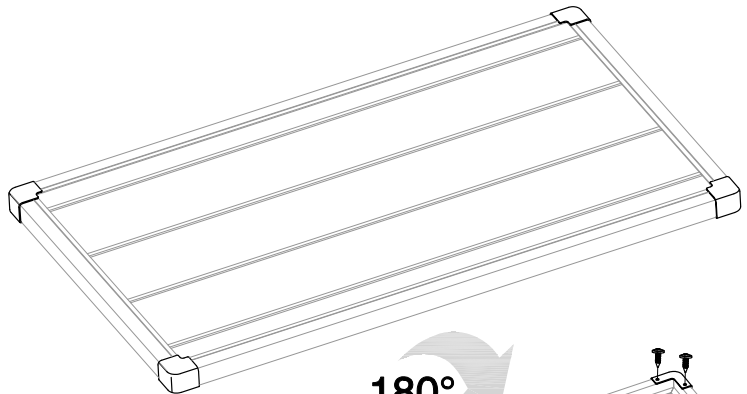
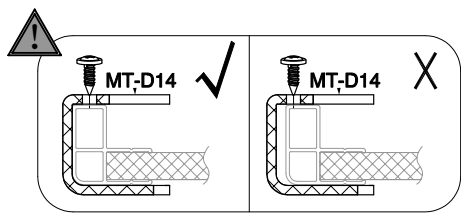
21	 MT-B44 [x16]
-----------	---

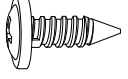


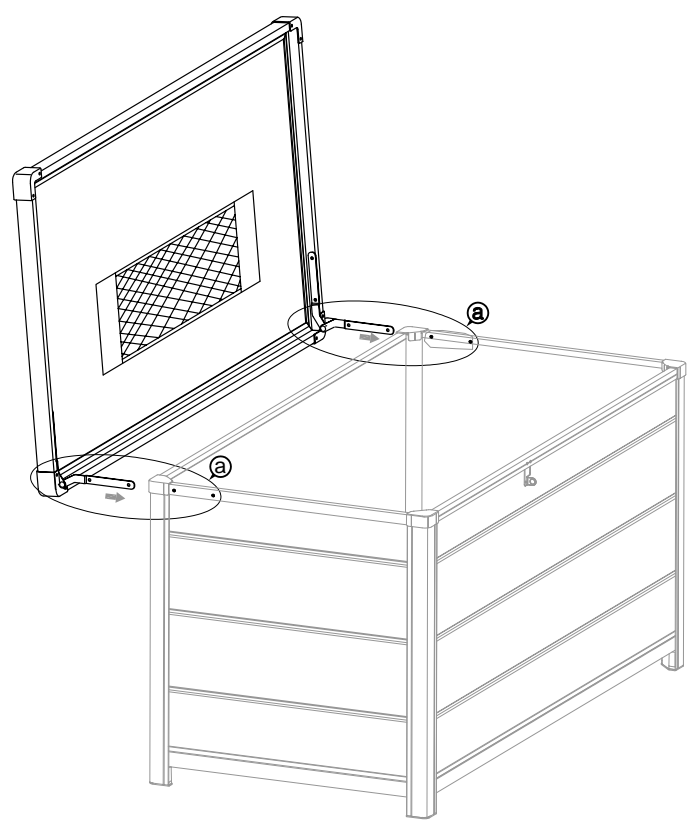
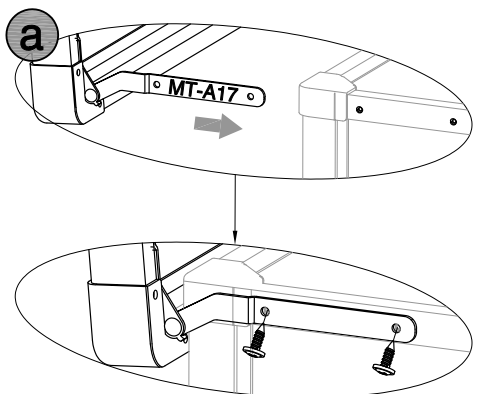
22	 MT-D14 [x4]
-----------	--



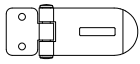
23  MT-B44 [x8]



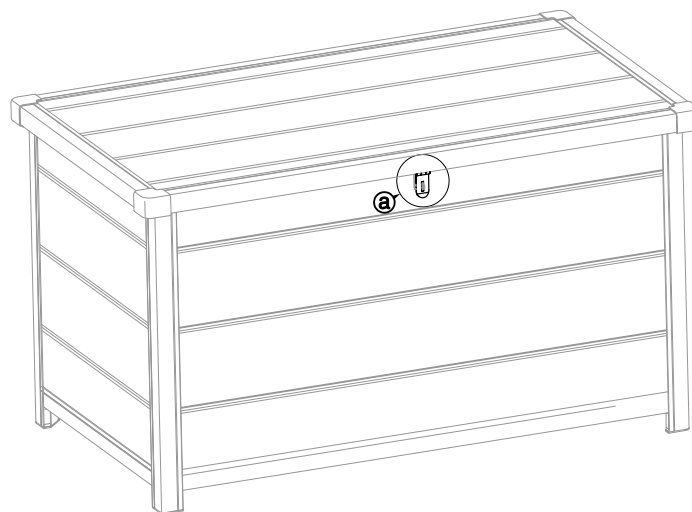
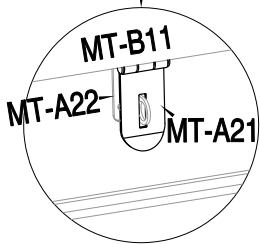
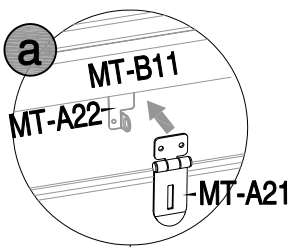
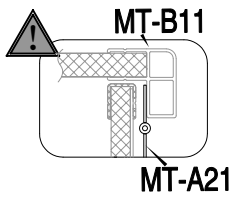
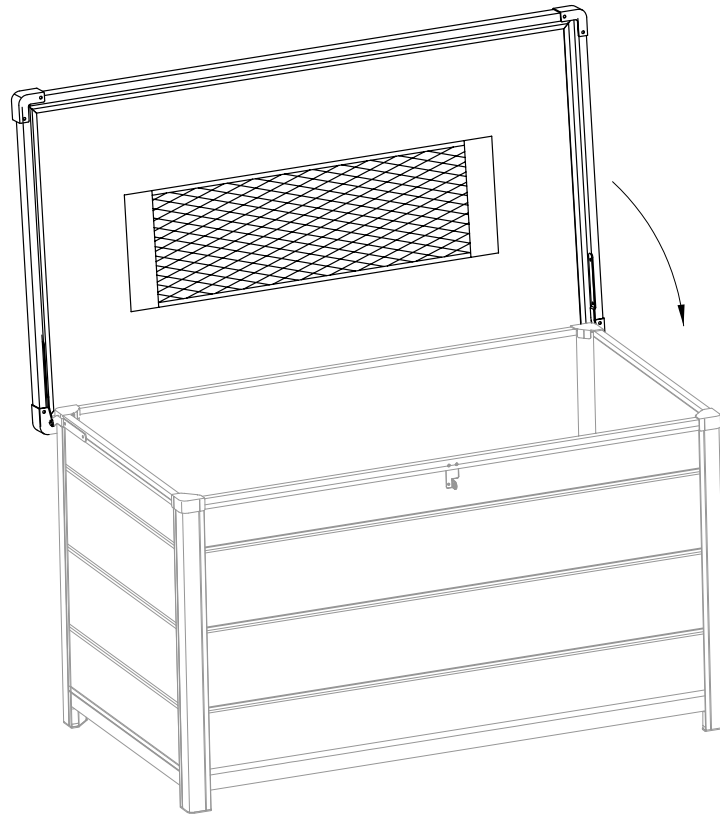
24  MT-B44 [x4]



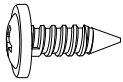
25



MT-A21 [x1]



26



MT-B44 [x2]

