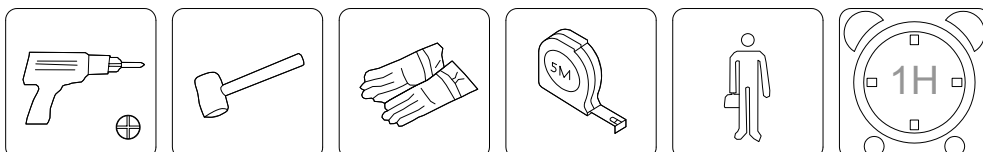
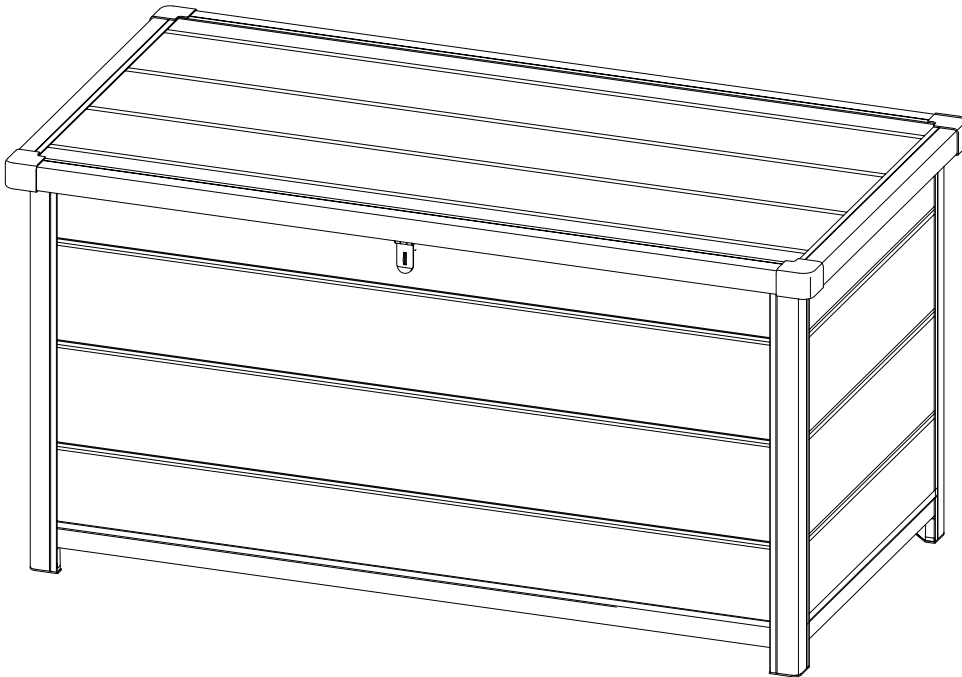
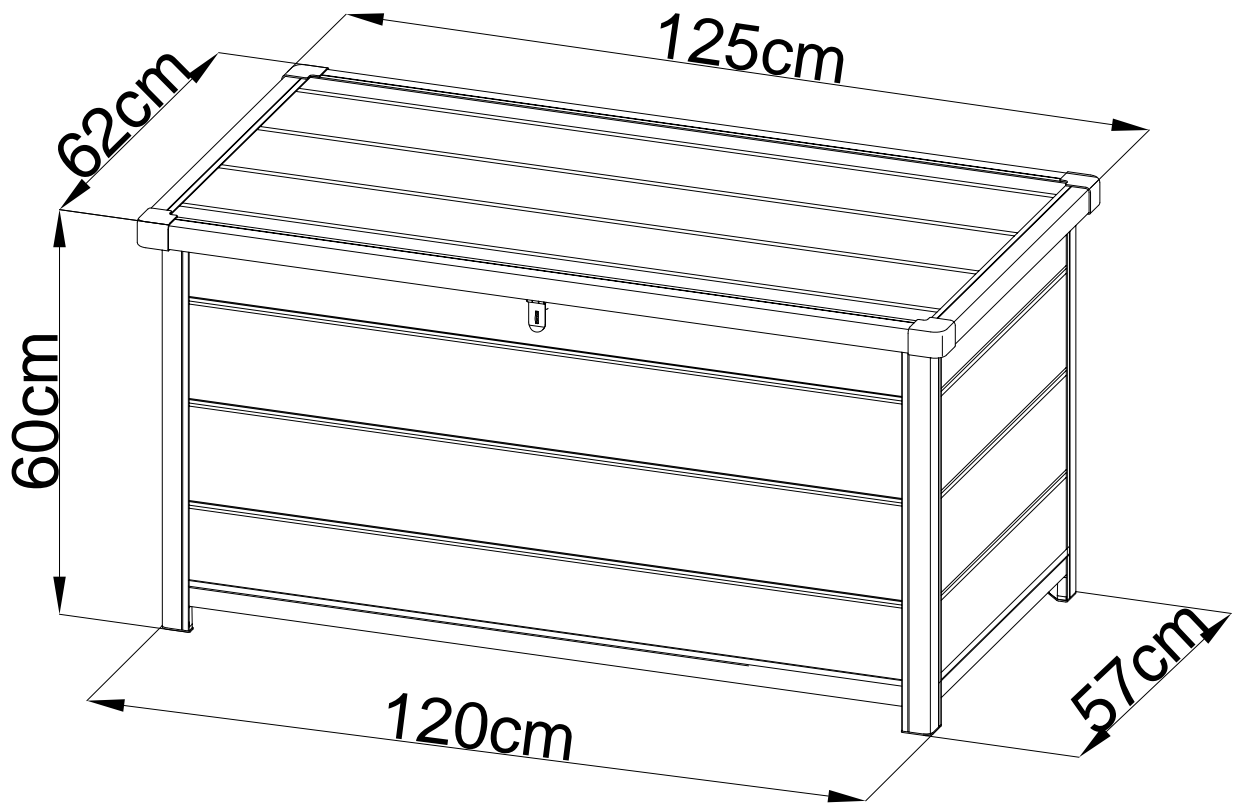


## Airevale Plastic Cushion Box

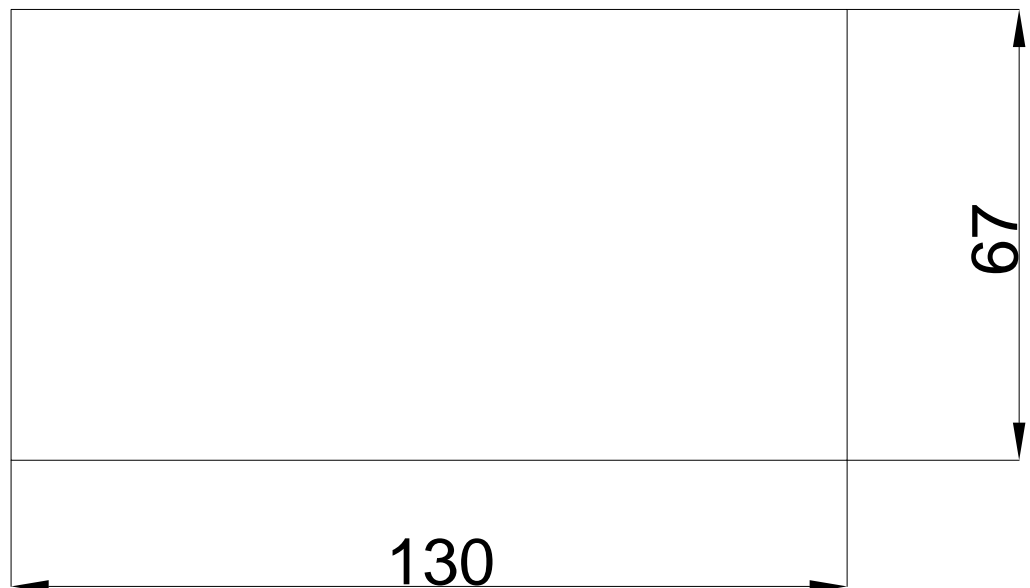
**Light Grey: SS551**

**Dark Grey: SS552**

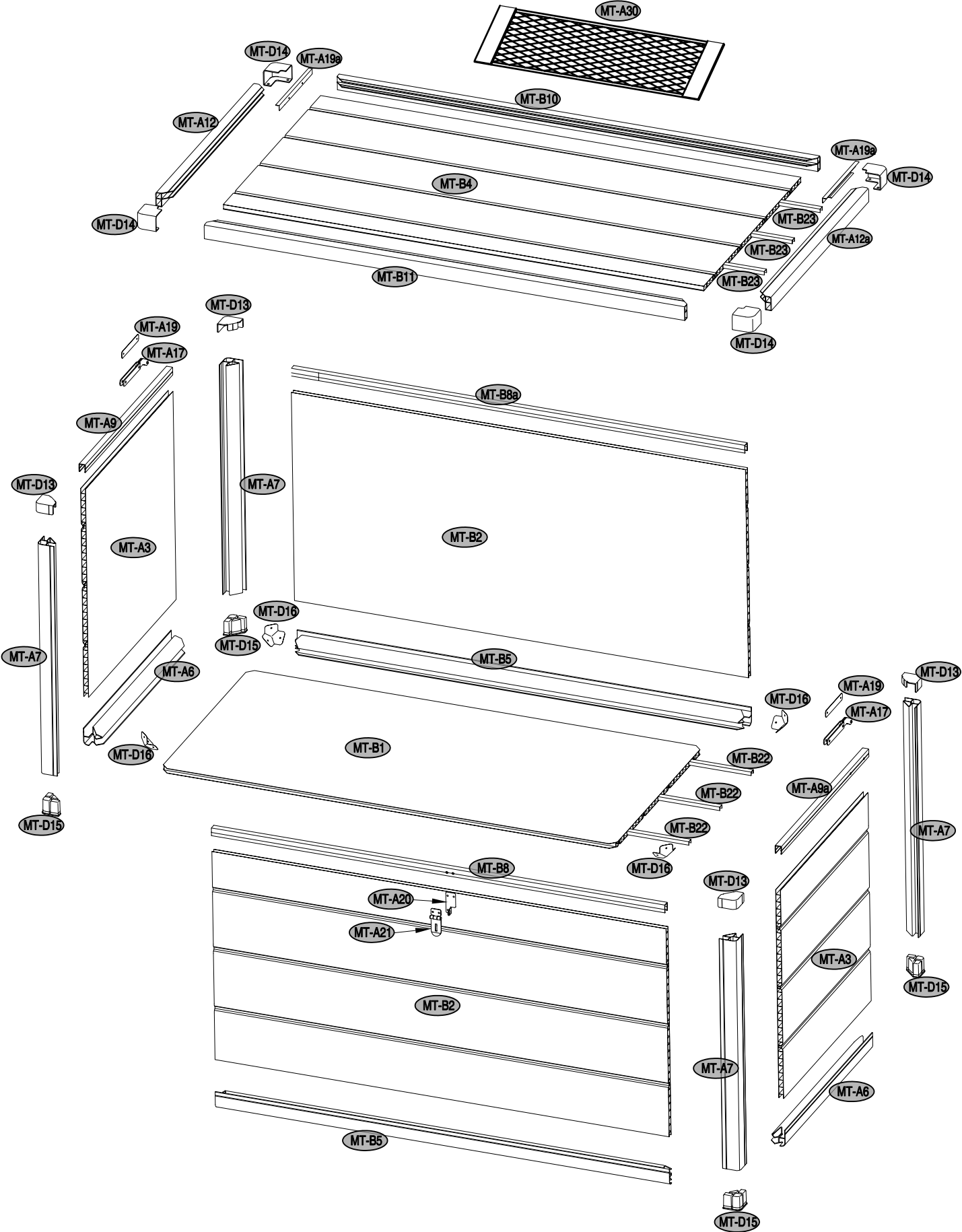




Area of installation requirement:

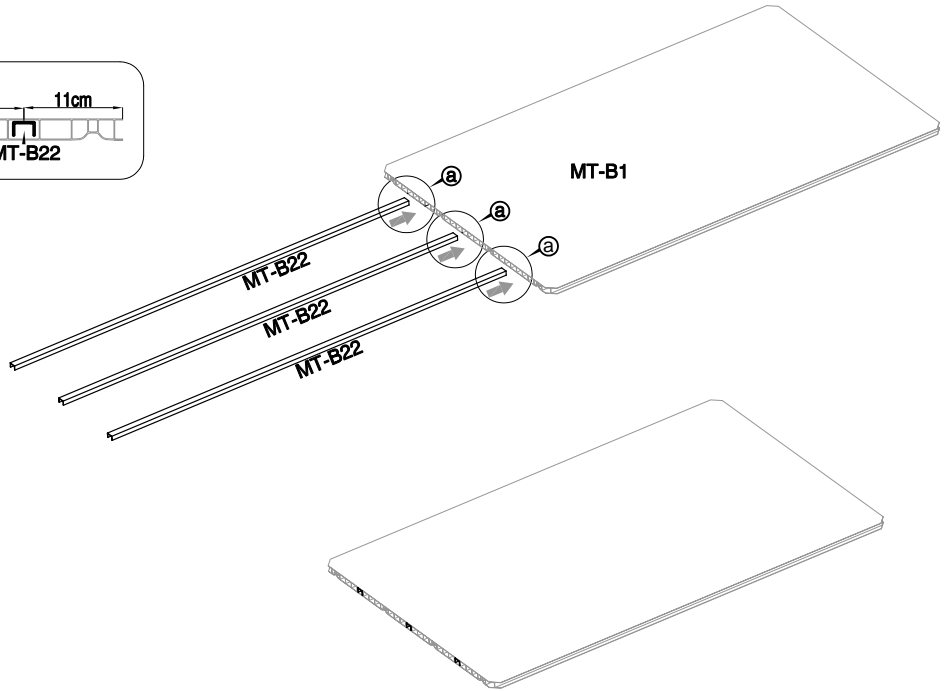
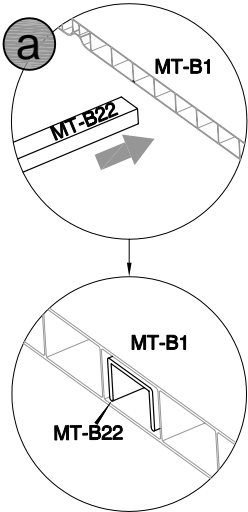
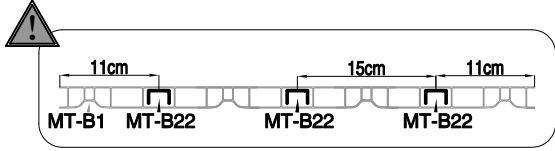
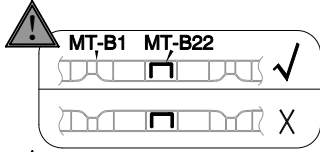



# Mat-B:

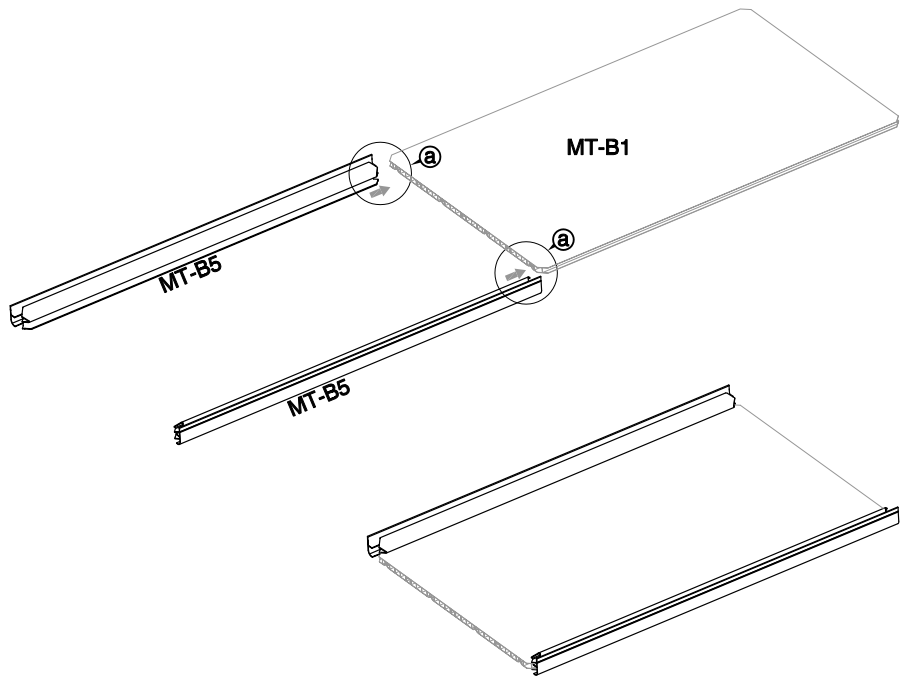
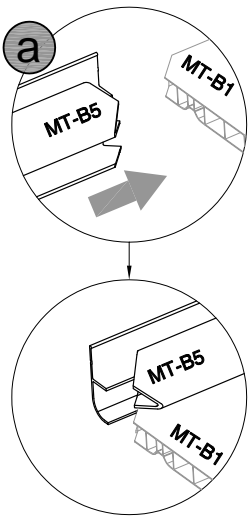
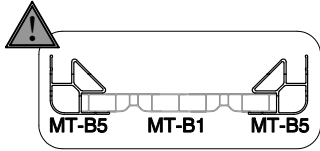




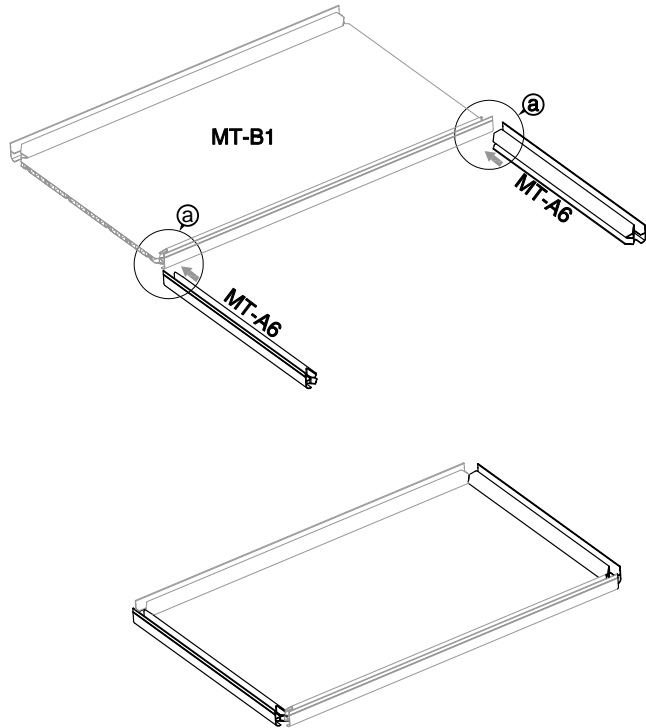
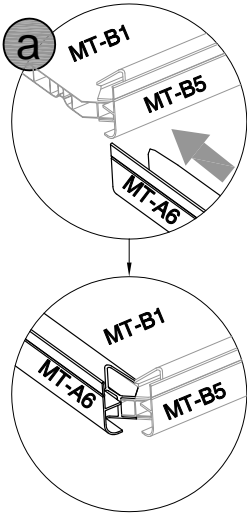
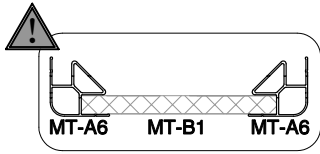
<b>1</b>	 MT-B1 [x1]	 MT-B22 [x3]	
----------	---	--	--



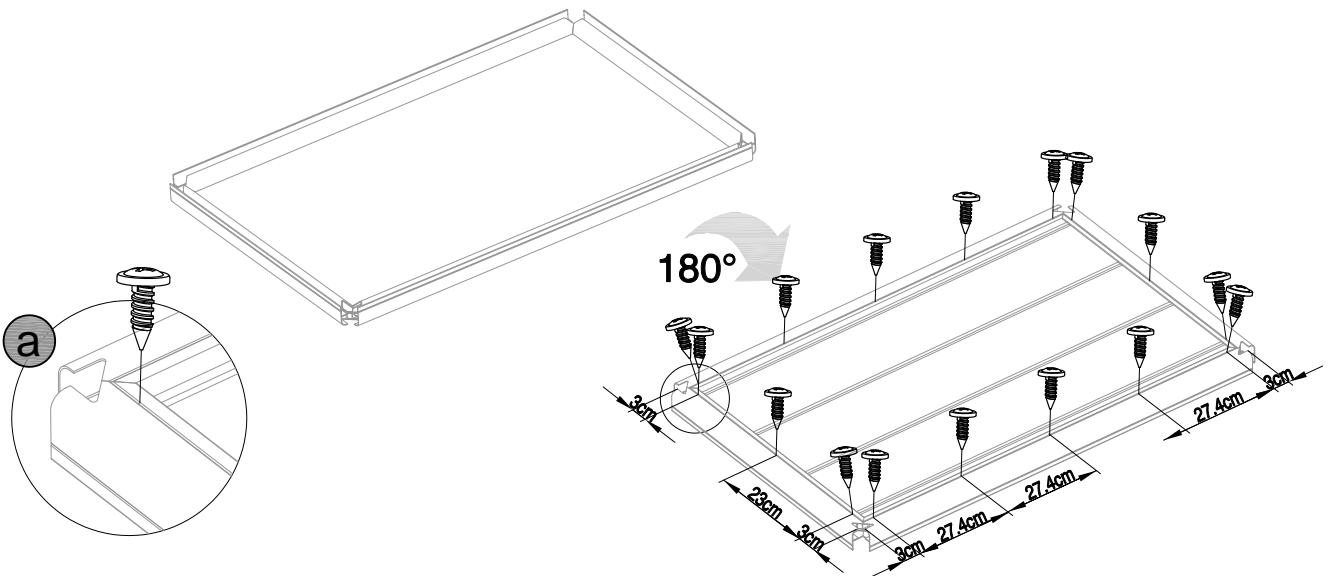
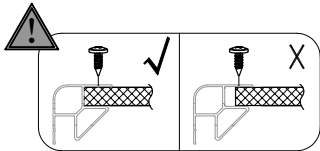
<b>2</b>	 MT-B5 [x2]	
----------	---	--



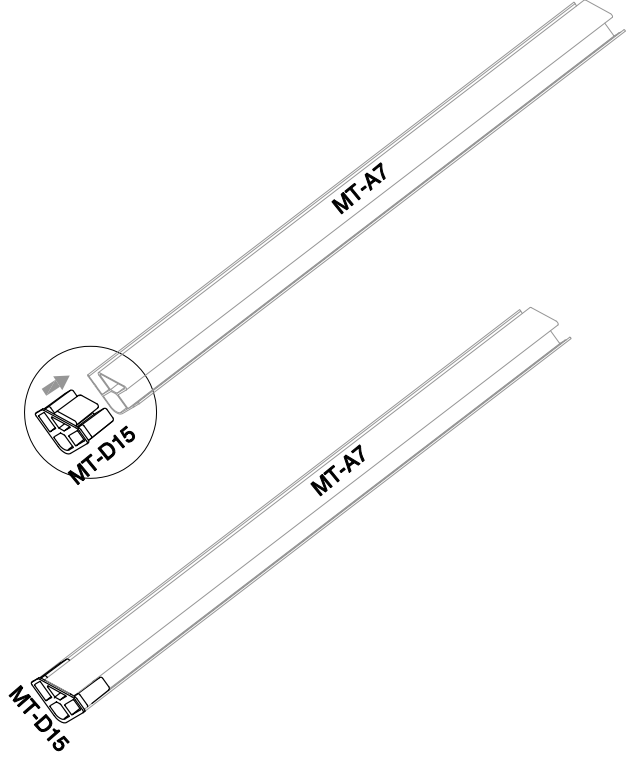
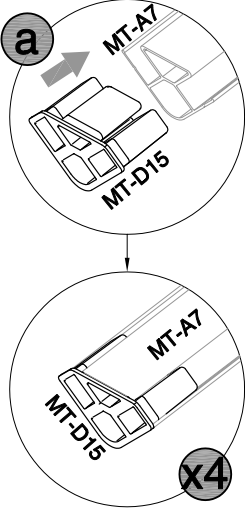
**3**  MT-A6 [x2]



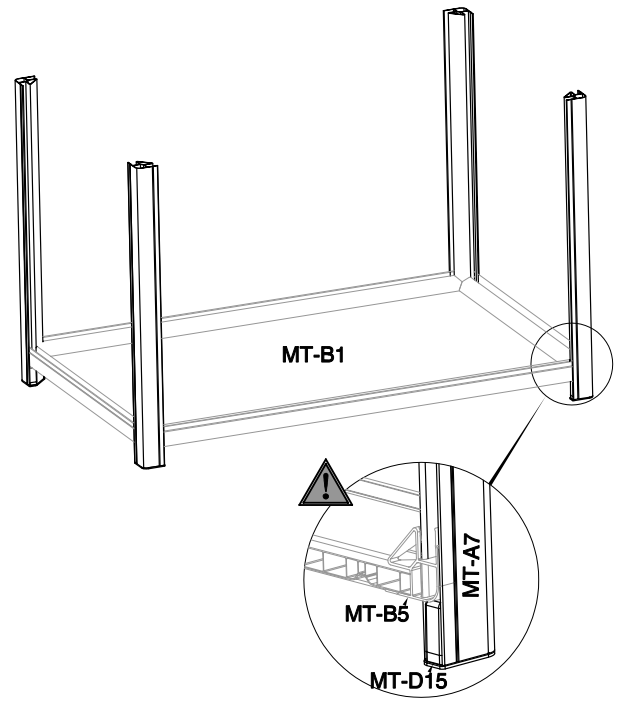
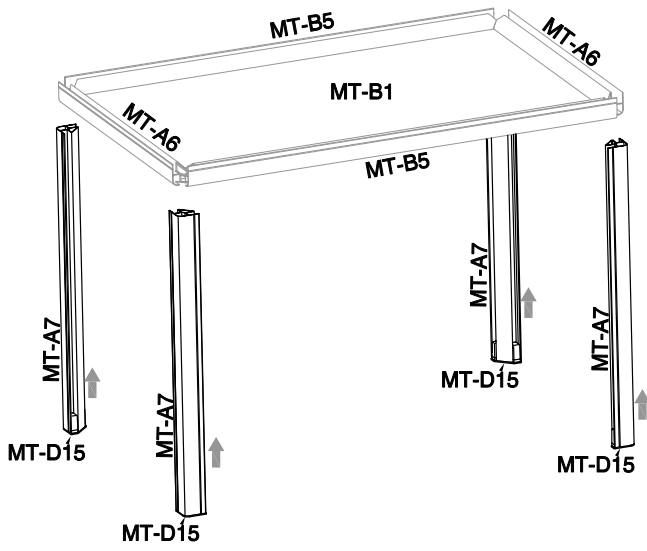
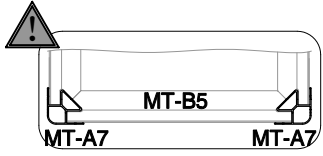
**4**  MT-B44 [x16]



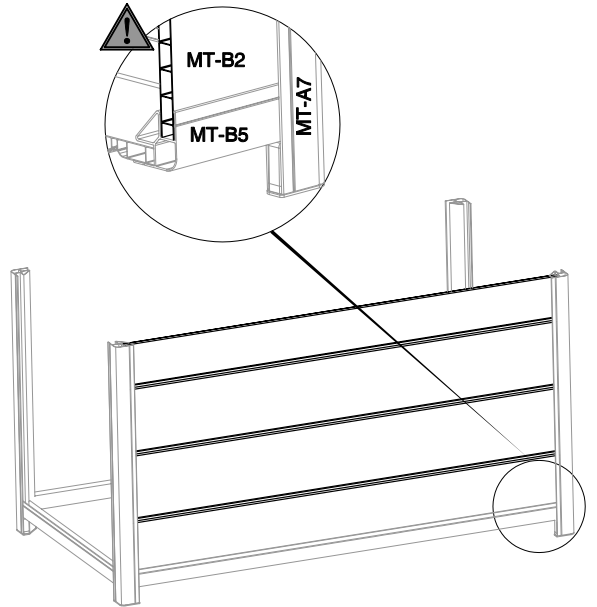
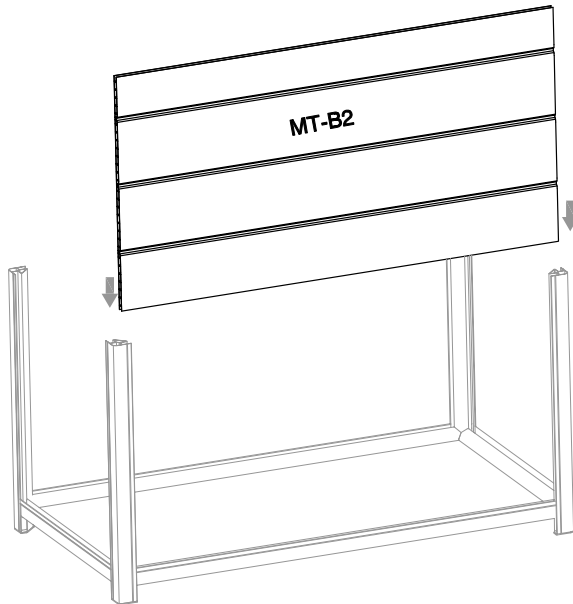
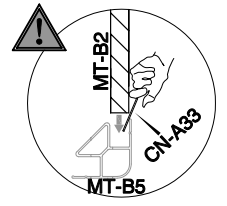
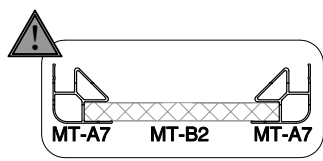
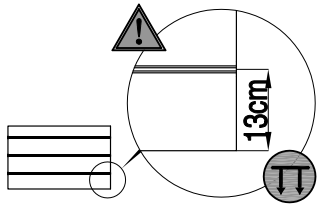
<b>5</b>	 MT-A7 [x4]	 MT-D15 [x4]	
----------	---	--	--

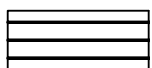
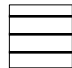



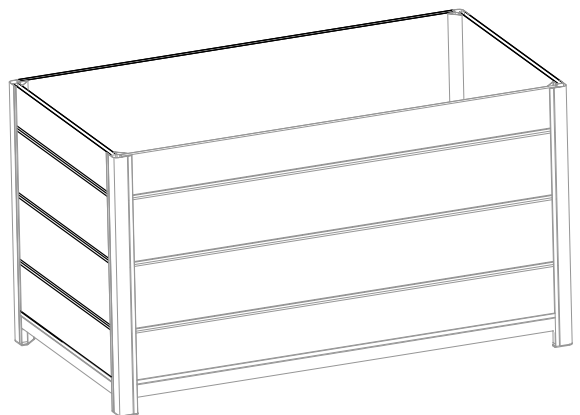
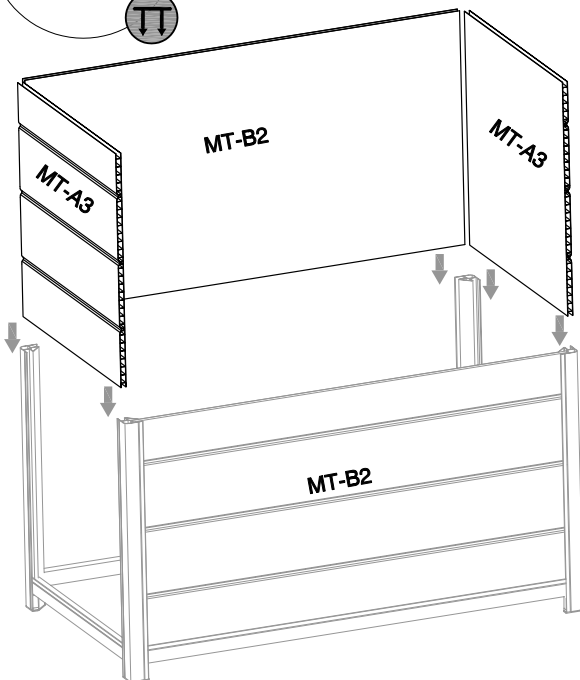
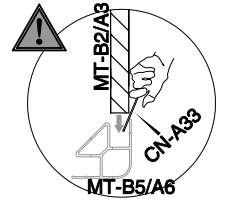
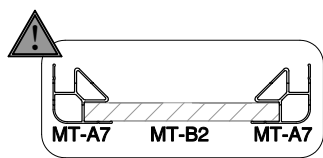
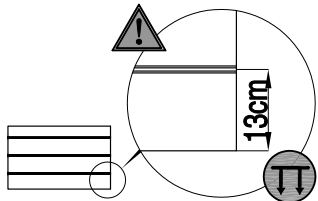
<b>6</b>			
----------	--	--	--



<b>7</b>	 MT-B2 [x1]	 CN-A33	
----------	---	---	--

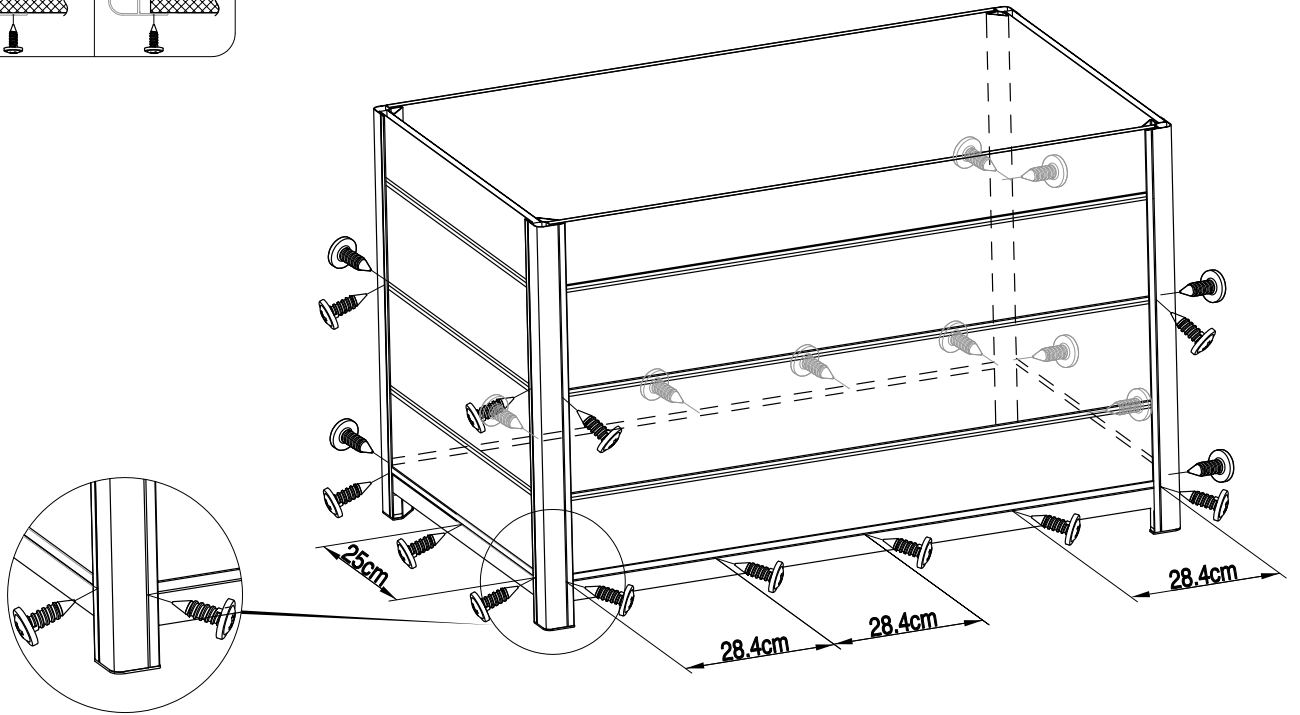
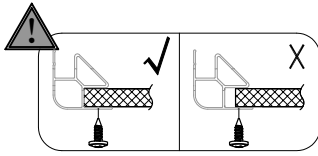


<b>8</b>	 MT-B2 [x1]	 MT-A3 [x2]	 CN-A33	
----------	---	---	---	--

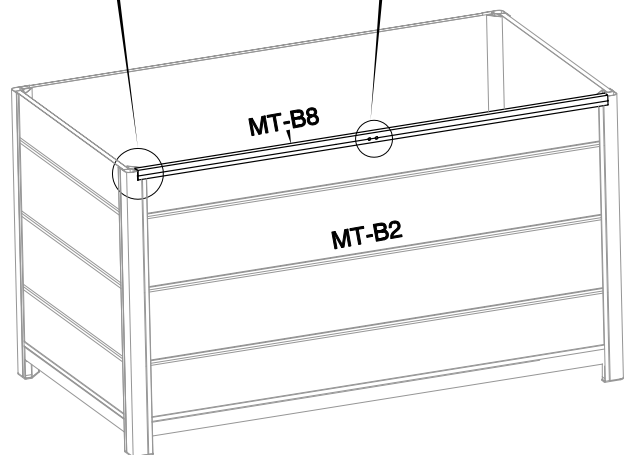
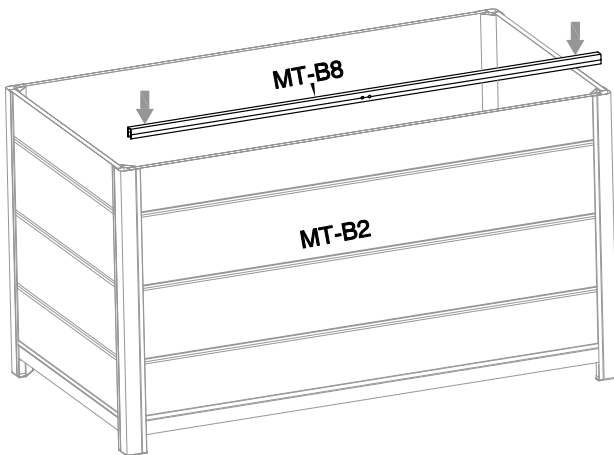
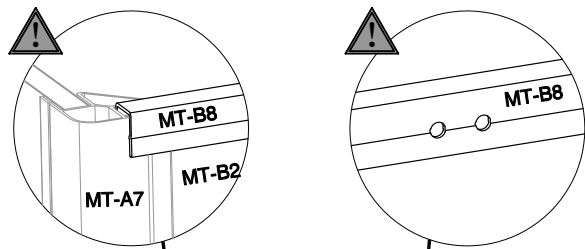
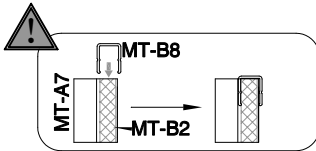


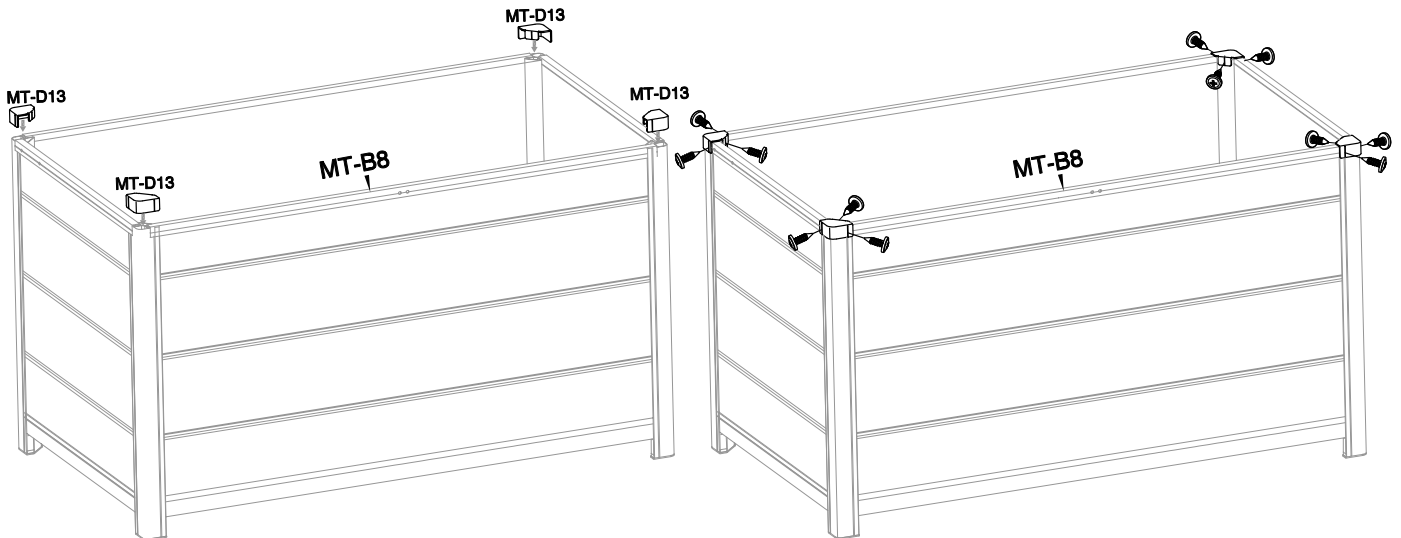
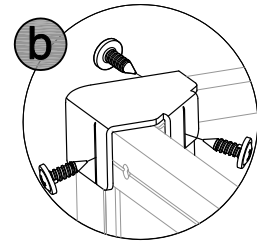
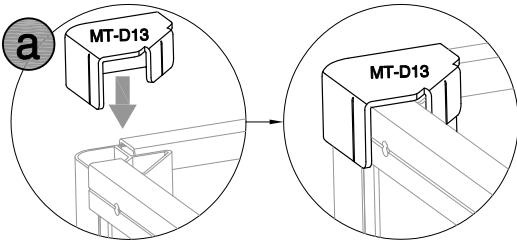
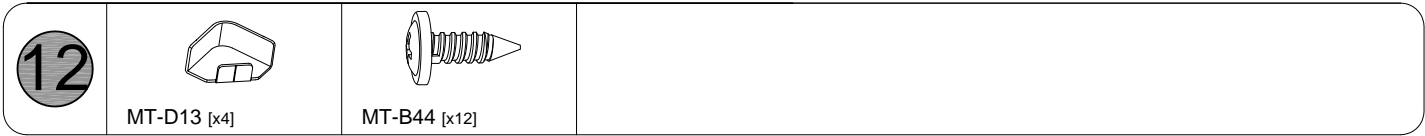
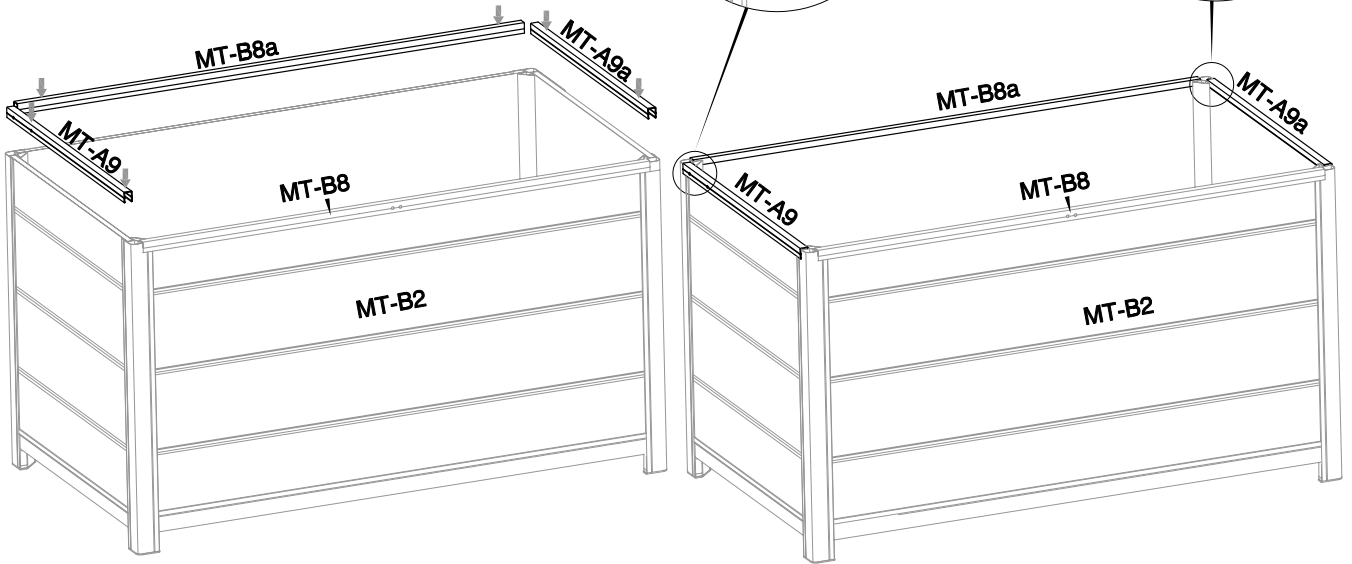
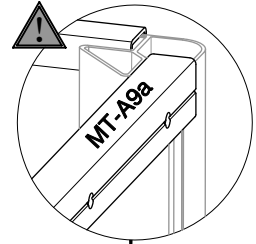
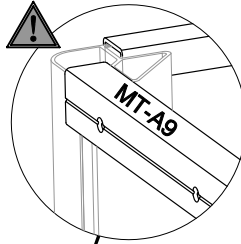
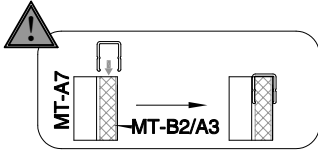
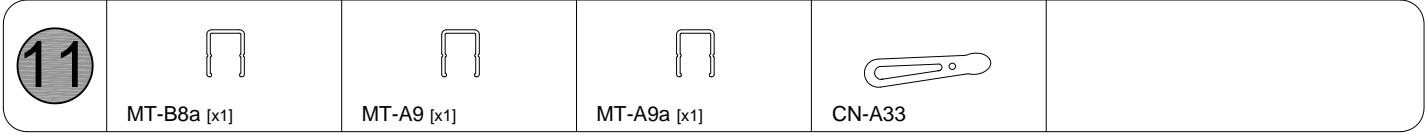


<p><b>9</b></p>	 <p>MT-B44 [x24]</p>	
-----------------	---	--

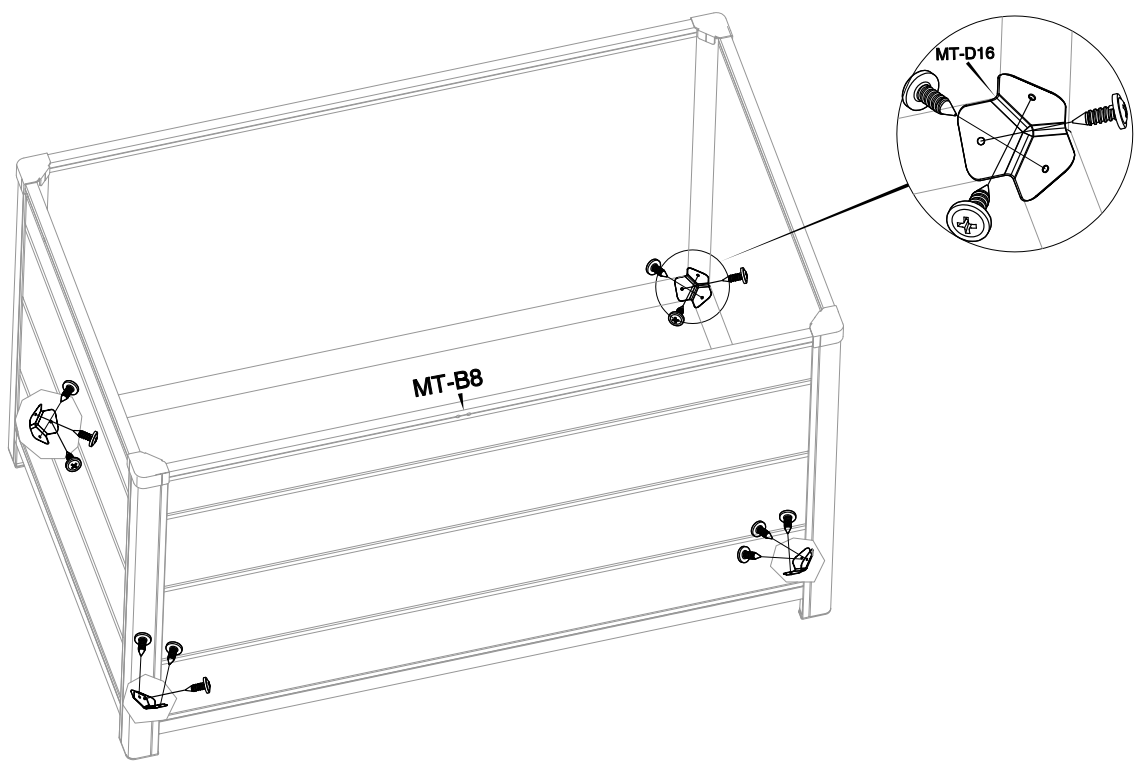


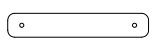

<p><b>10</b></p>	 <p>MT-B8 [x1]</p>	 <p>CN-A33</p>	
------------------	---	---	--

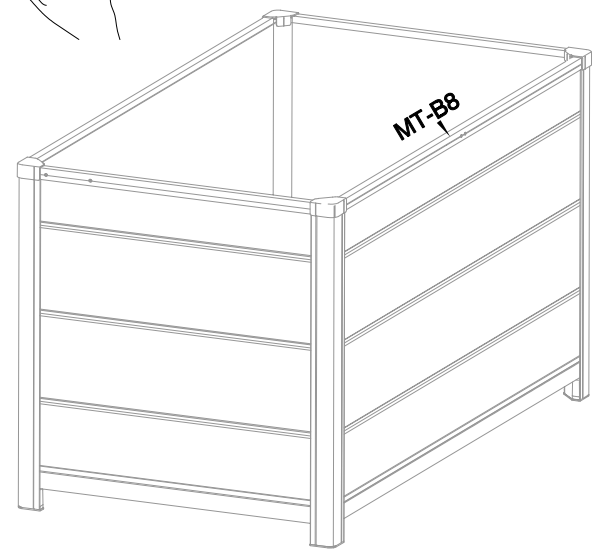
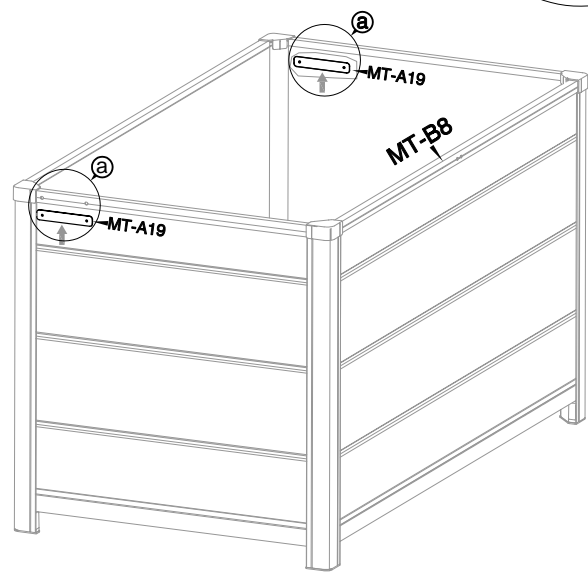
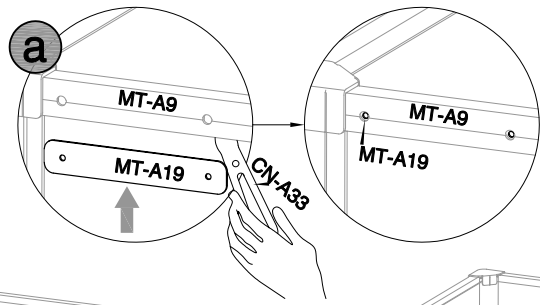
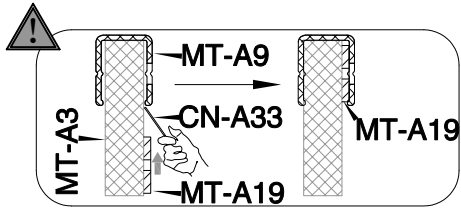




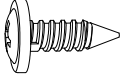


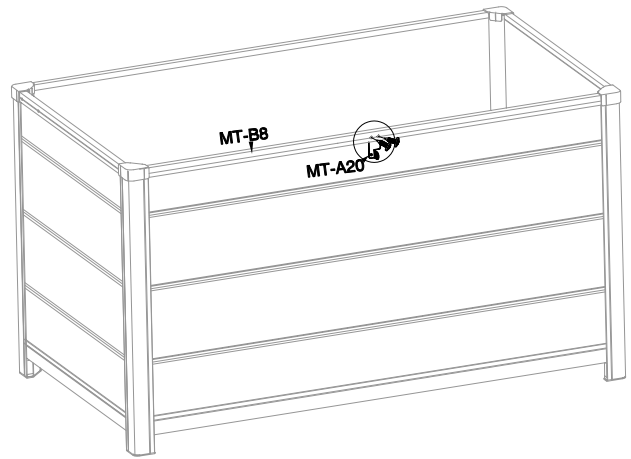
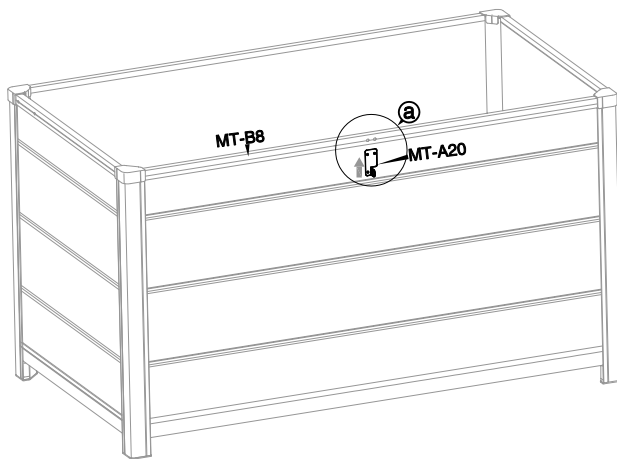
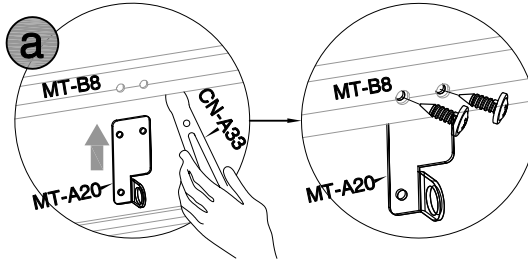
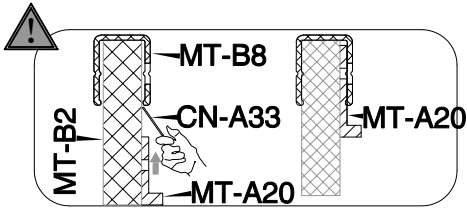
<p><b>13</b></p>	 <p>MT-D16 [x4]</p>	 <p>MT-B44 [x12]</p>	
------------------	--	---	--



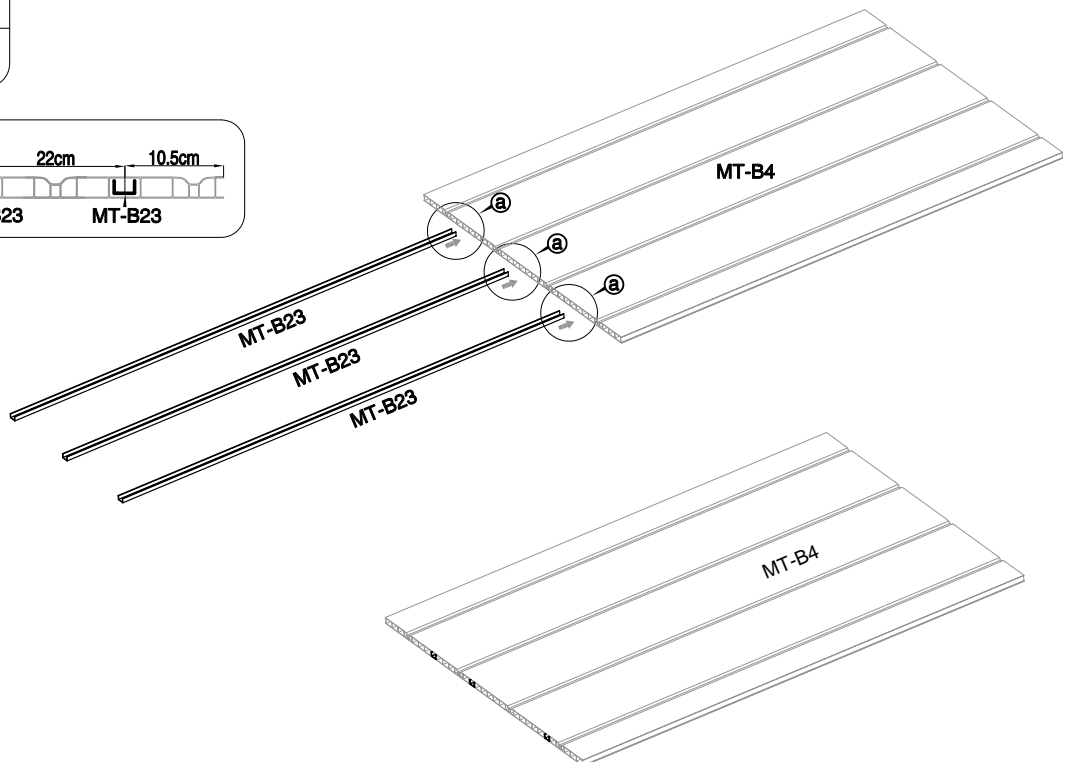
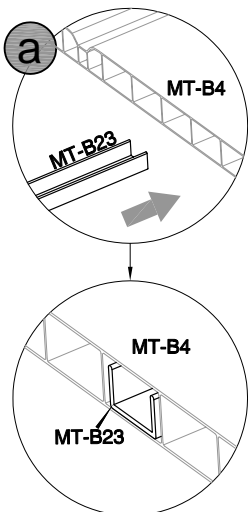
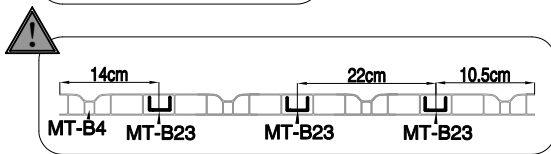
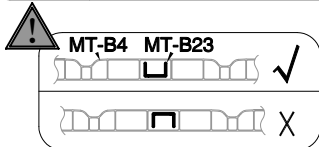
<p><b>14</b></p>	 <p>MT-A19 [x2]</p>	 <p>CN-A33</p>	
------------------	--	---	--

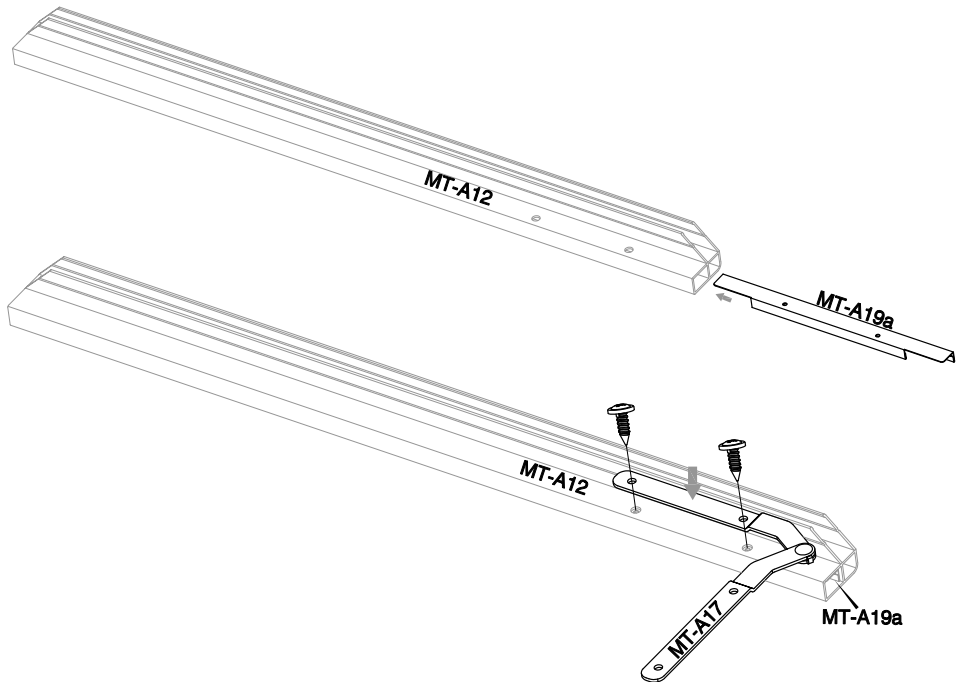
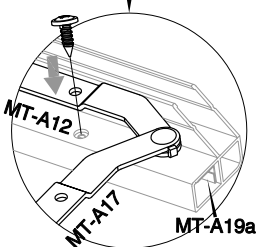
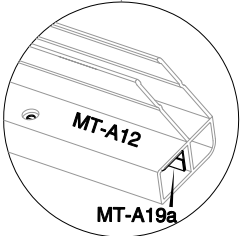
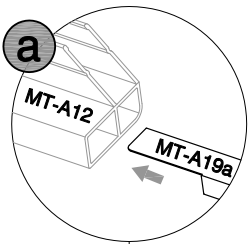
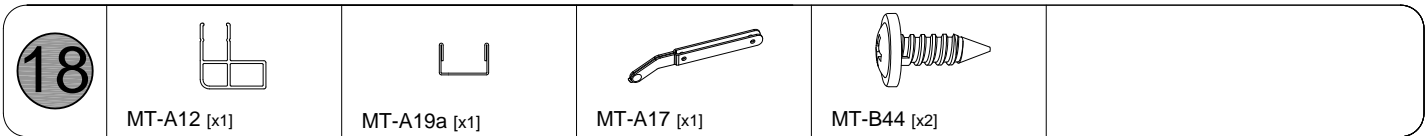
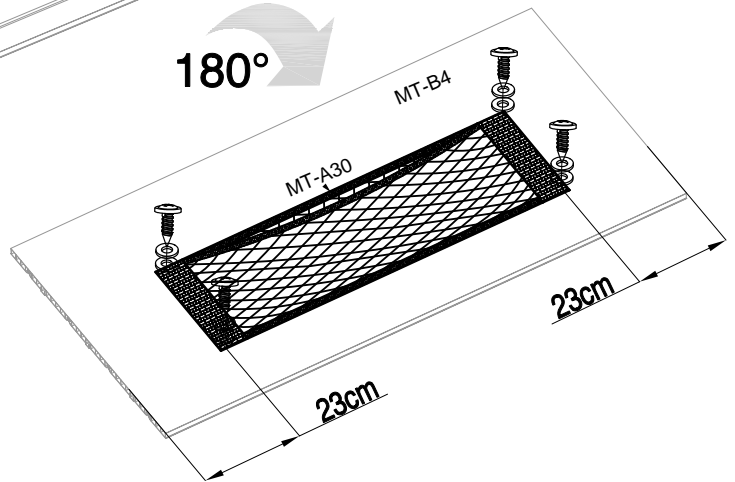
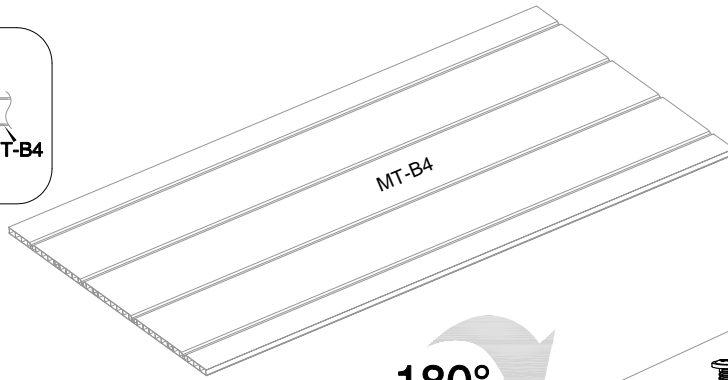
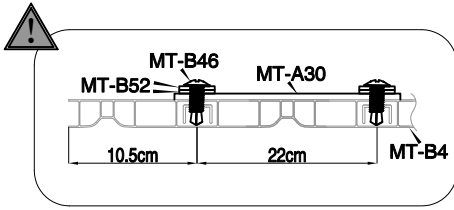
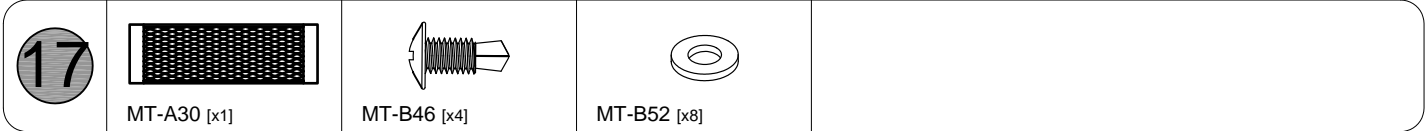


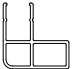

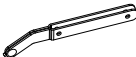

<b>15</b>	 MT-A20 [x1]	 CN-A33	 MT-B44 [x2]
-----------	--	---	--

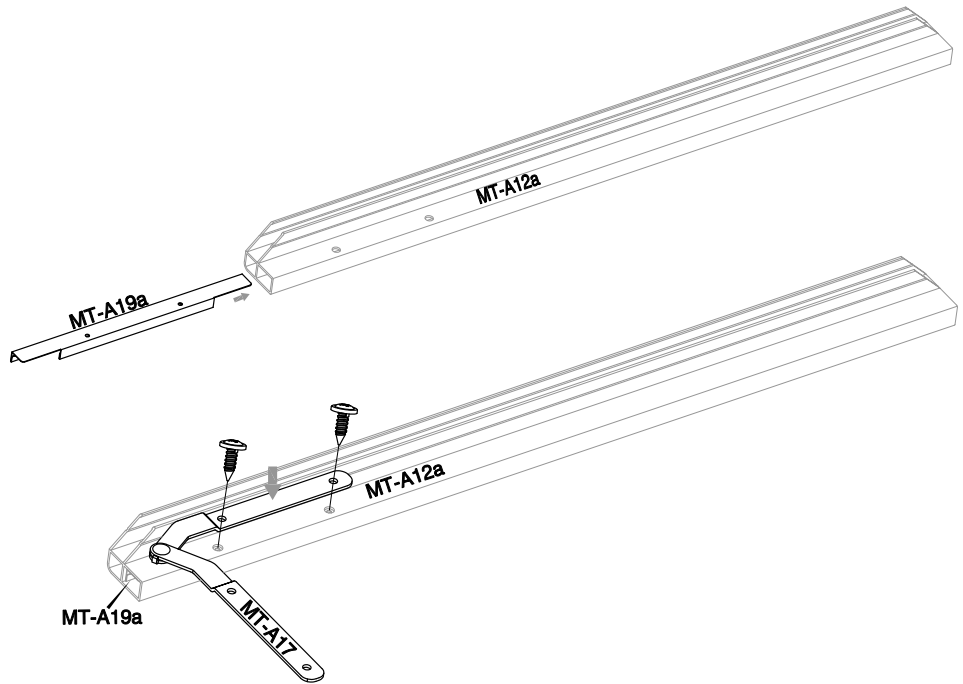
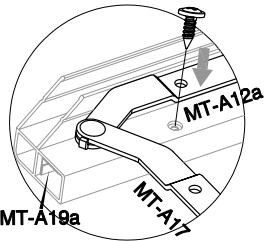
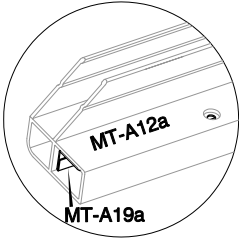
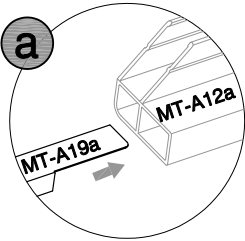


<b>16</b>	 MT-B4 [x1]	 MT-B23 [x3]
-----------	---	--

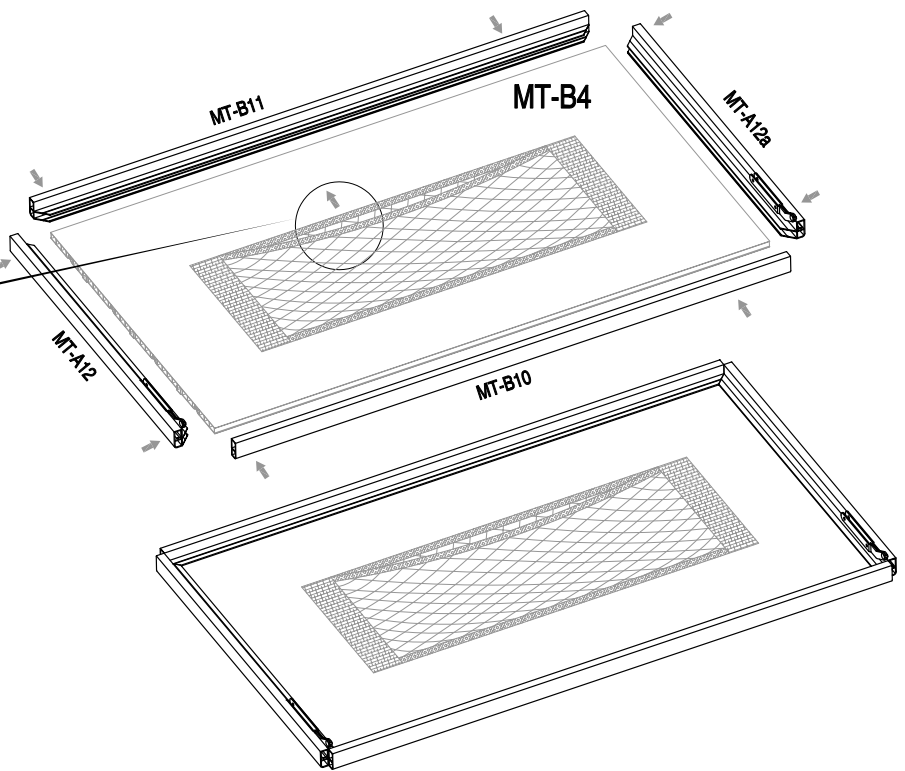
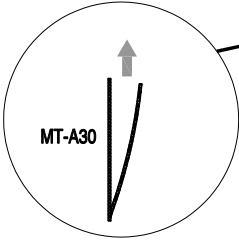
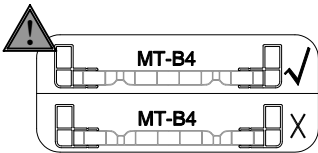




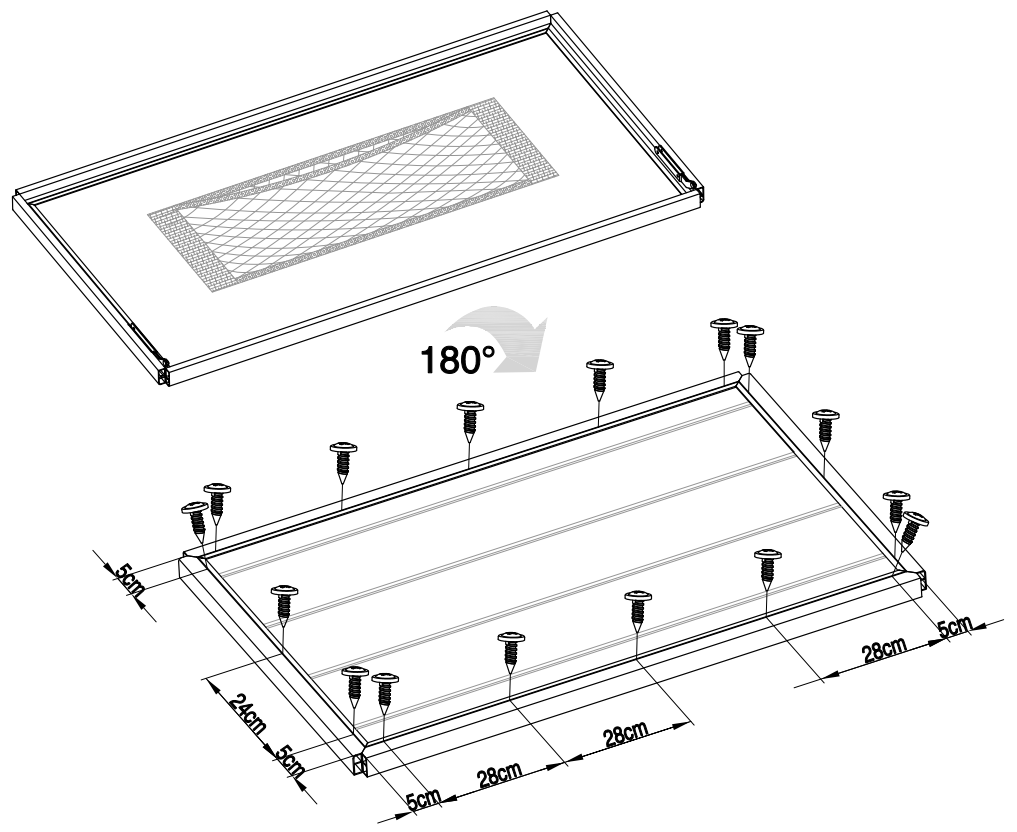
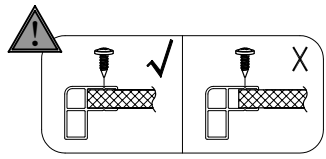
19	 MT-A12a [x1]	 MT-A19a [x1]	 MT-A17 [x1]	 MT-B44 [x2]	
----	---	---	--	---	--




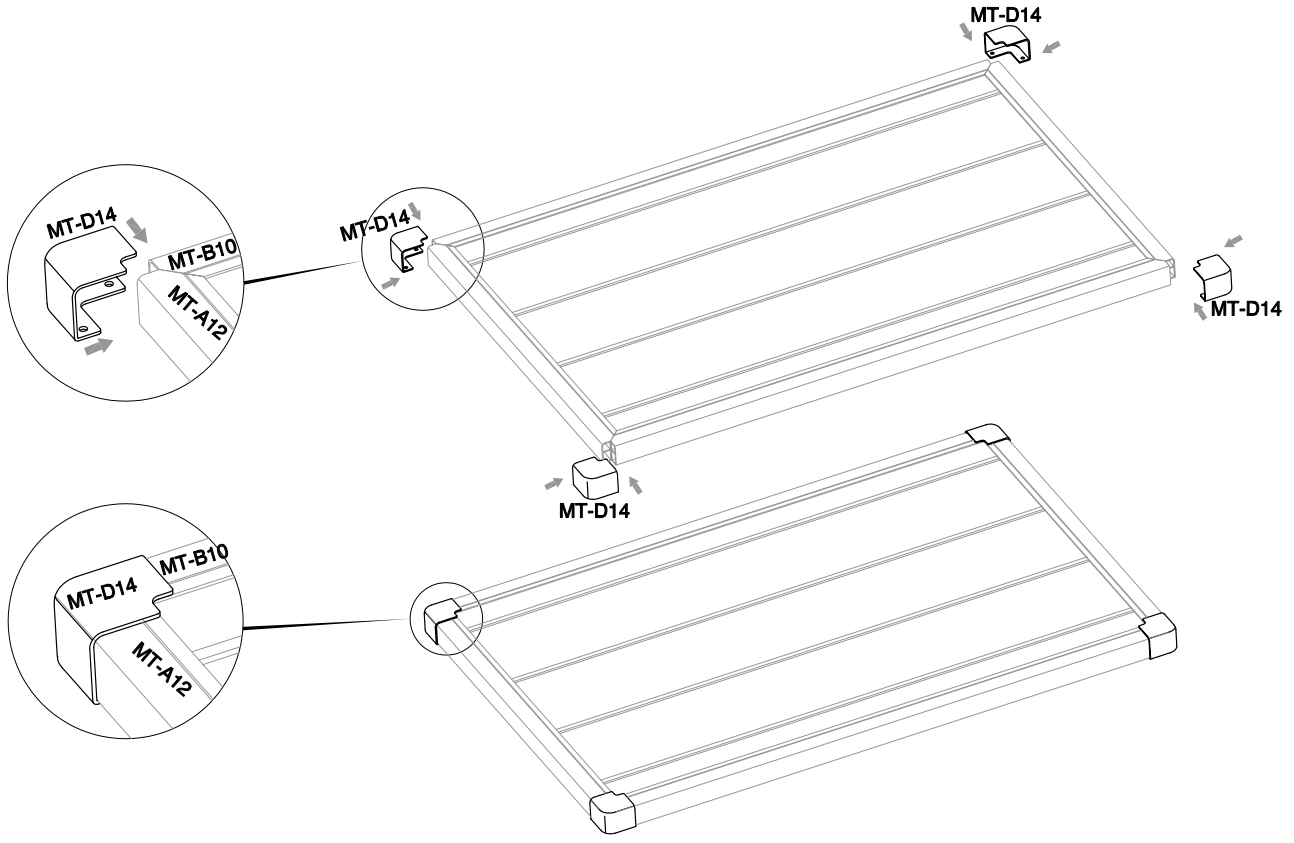
20	 MT-B10 [x1]	 MT-B11 [x1]	
----	--	--	--



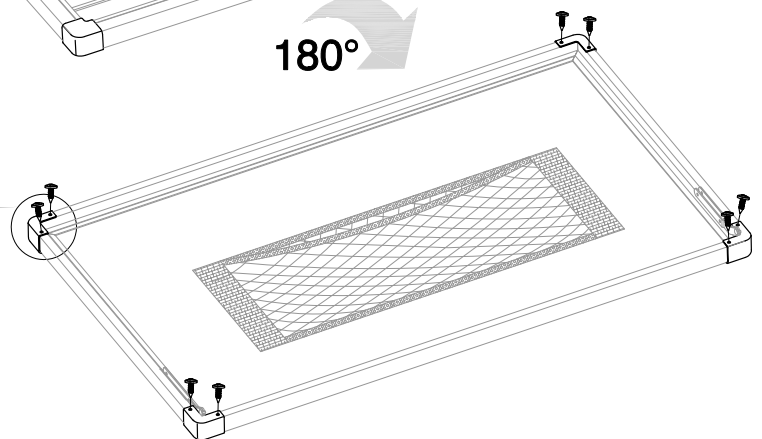
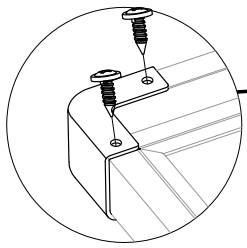
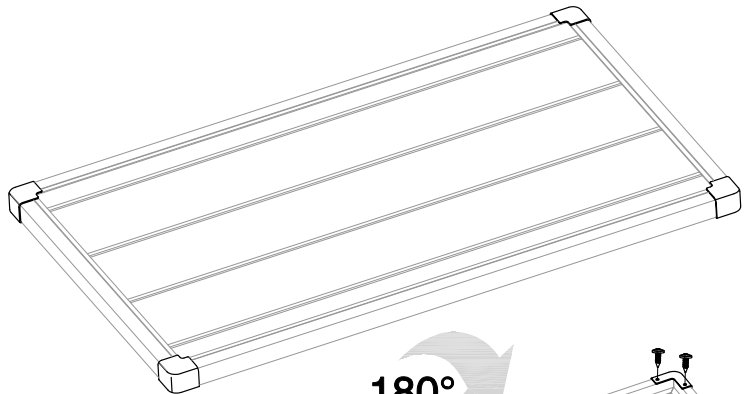
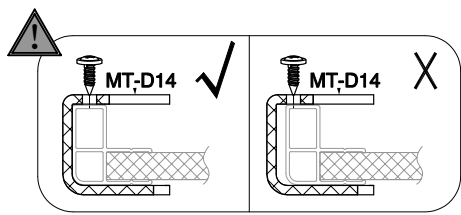
<p>21</p>	 <p>MT-B44 [x16]</p>	
-----------	---	--

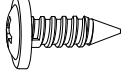


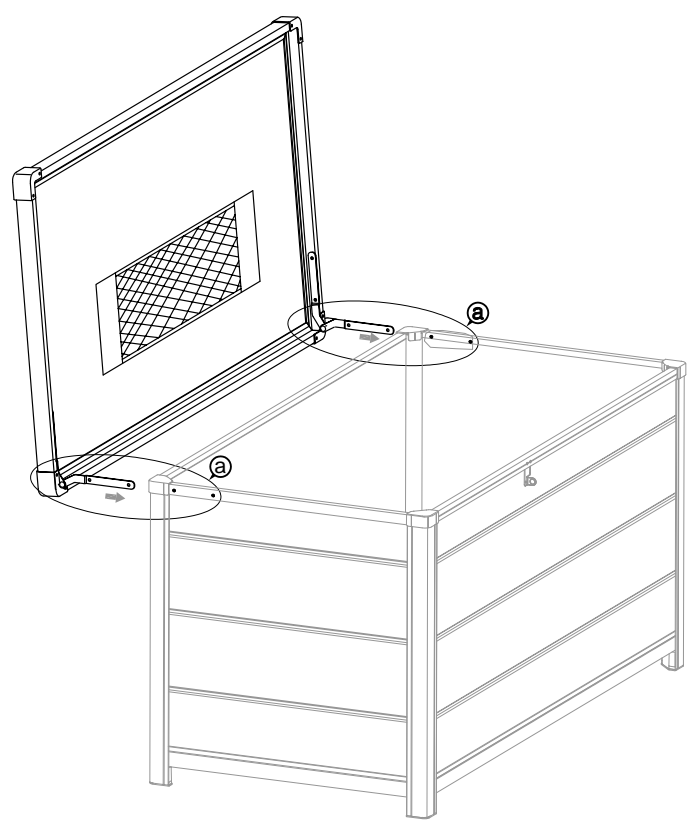
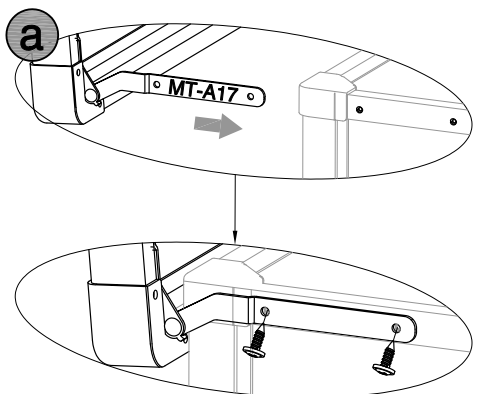
<p>22</p>	 <p>MT-D14 [x4]</p>	
-----------	--	--



**23**  MT-B44 [x8]

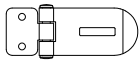


**24**  MT-B44 [x4]

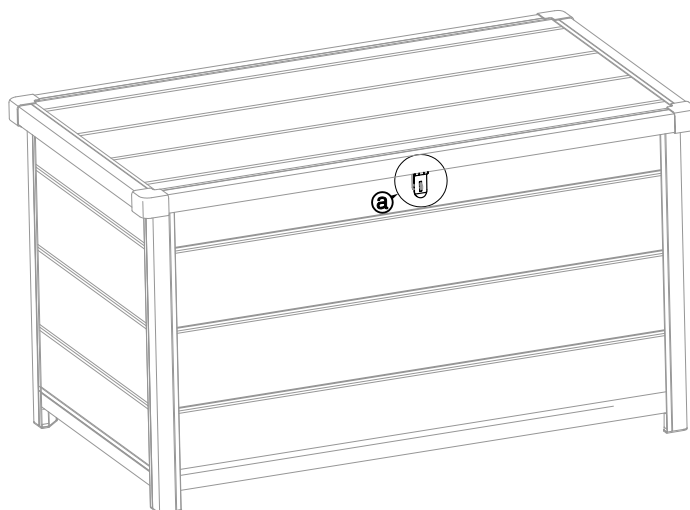
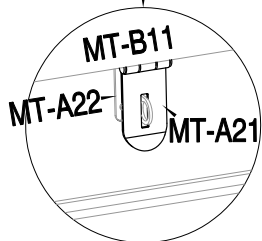
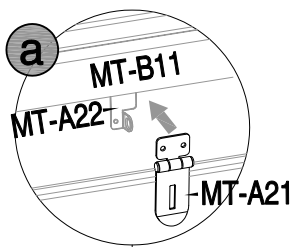
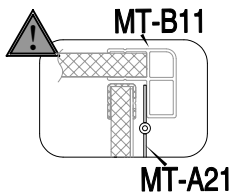
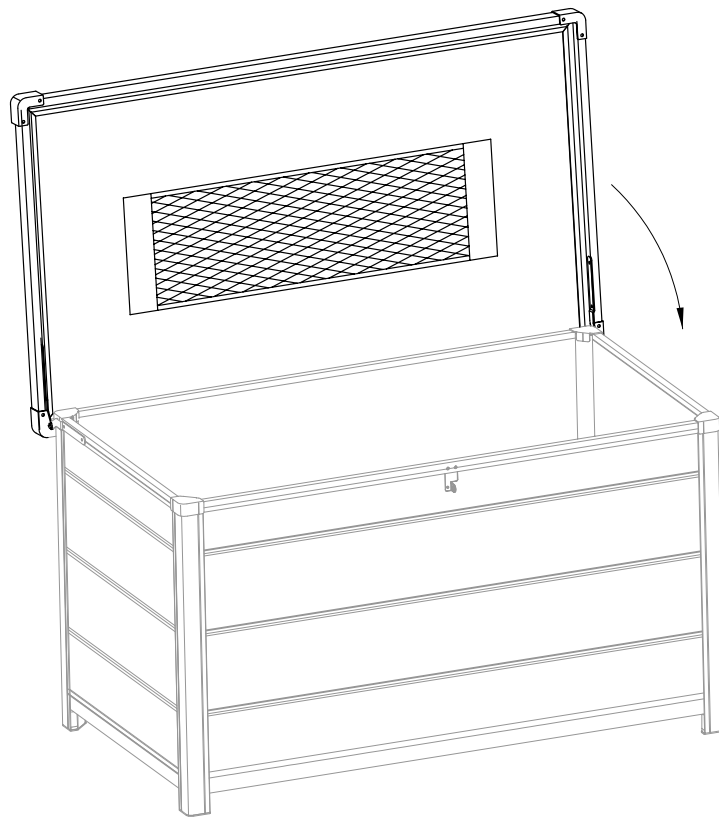




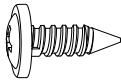
25



MT-A21 [x1]



26



MT-B44 [x2]

