

OWNER'S MANUAL

Storette MODEL J128-066 (70102)

Manufactured by
Spacemaker Limited

EASY TO INSTALL

CONTENTS • Pre-construction instructions • Parts List and ordering information • Assembly

PROCEED WITH CONFIDENCE

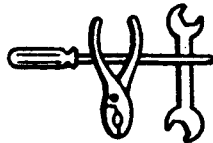
It might look complicated when you first unpack your storage cabinet --- but it really isn't. Simply follow the illustrated instructions and your storage cabinet will go up quickly and accurately.

ASSEMBLY INSTRUCTIONS –

- **Before you start** --- read through instructions carefully!
- **Get a friendly neighbour to help you** --- you'll find a helping hand will speed the job and make assembly easier.
- **Sort and separate all parts and hardware** --- checking with your instructions and the illustrated parts check lists Pages 2 & 3 --- to be sure you have all parts and know where they belong. Each part is numbered and illustrated, the quantity required and its part number noted.
- **Follow step by step instructions carefully** --- complete each step before going on to the next one.
- **Retain this manual after assembly is completed** --- it contains a complete parts list.

TOOLS REQUIRED –

- Phillips № 2 screwdrivers
(magnetized head recommended)
- Pair of Pliers.
- Wrenches for 10 mm (3/8") nuts.

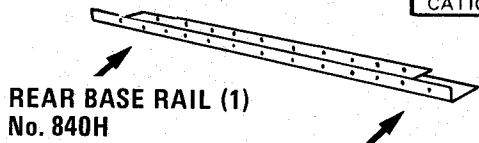


REPLACEMENT PARTS OR QUESTIONS RE YOUR BUILDING SHOULD BE REFERRED DIRECTLY TO THE FACTORY – DO NOT CONTACT YOUR DEALER HE IS NOT EQUIPPED TO SERVICE YOUR REQUESTS AS PROMPTLY AS THE CUSTOMER SERVICE DEPARTMENT AT THE FACTORY. OUR ADDRESS AND A CONVENIENT PARTS ORDER FORM ARE INCLUDED IN THIS MANUAL.



ILLUSTRATED PARTS

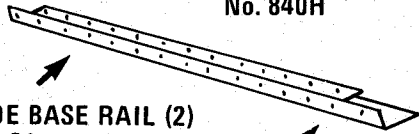
NOTE: DRAWINGS ARE NOT TO SCALE, BUT ARE DESIGNED TO SHOW CROSS SECTIONS AND GENERAL CONFIGURATION TO AID IDENTIFICATION.



REAR BASE RAIL (1)
No. 840H



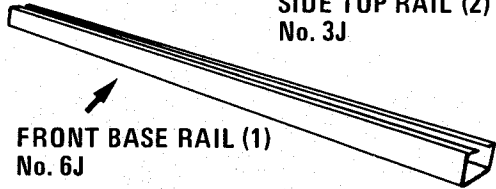
REAR TOP RAIL (1)
No. 840H



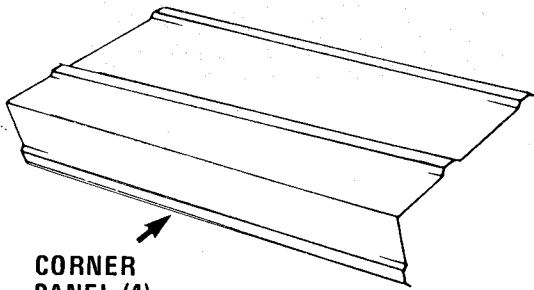
SIDE BASE RAIL (2)
No. 3J



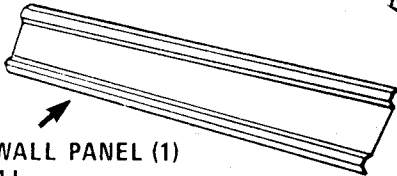
SIDE TOP RAIL (2)
No. 3J



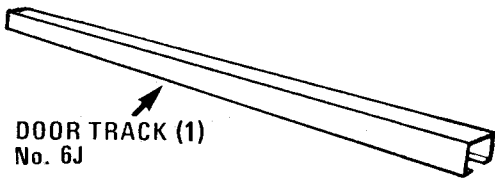
FRONT BASE RAIL (1)
No. 6J



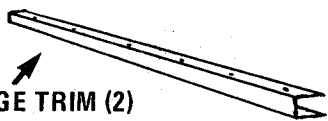
CORNER PANEL (4)
No. B5J



REAR WALL PANEL (1)
No. B21J



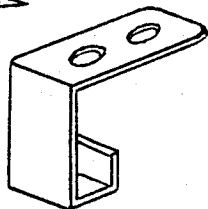
DOOR TRACK (1)
No. 6J



ROOF EDGE TRIM (2)
No. 16J
(TOP AND BOTTOM)



ROOF EDGE TRIM (2)
No. 17J (SIDES)



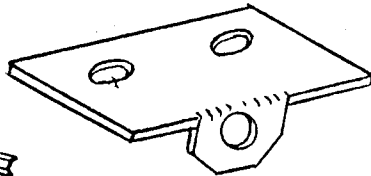
ROOF LATCH BRACKET (1)
No. 8 - J



DOOR JAMB (2)
No. 109J



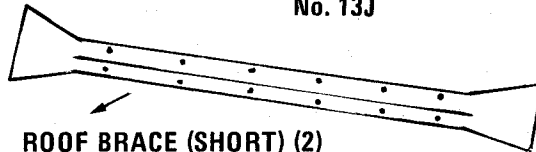
HARDWARE PACK (1)



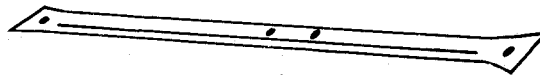
ROOF SUPPORT ARM BRACKET (1)
No. 9 - J



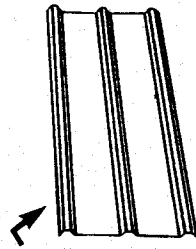
LOCK NUT



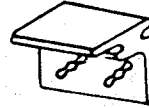
ROOF BRACE (SHORT) (2)
No. 40J



ROOF BRACE (LONG) (1)
No. 1036M



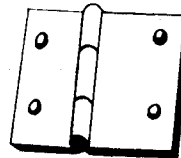
ROOF PANEL (1)
No. 419J



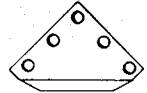
DOOR GLIDE (4)
No. A67



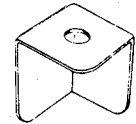
SCREW CLIPS (16)
No. 85 J



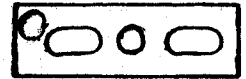
ROOF HINGE (2)
No. 55J



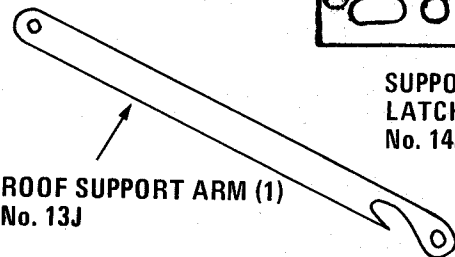
CORNER GUSSET (8)
No. 51J



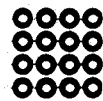
ROOF CORNER CAP (4)
No. 60H



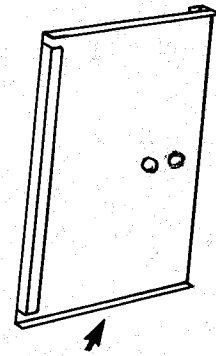
SUPPORT ARM
LATCH PLATE
No. 14J



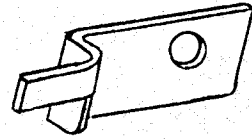
ROOF SUPPORT ARM (1)
No. 13J



No. C61
SMALL WASHER TREE -
ROOF AND DOORS
(TREE OF 64) (1)



DOOR PANELS (2)
No. F23J



DOOR LATCH FINGER (1)
No. 10 - J

BOLTS, NUTS AND SCREWS	QUANTITY
SELF TAPPING SCREWS 10 mm (3/8") LONG	100
10 mm (3/8") BOLTS AND NUTS	22
22 mm (7/8") BOLTS AND NUTS	11
6 mm (1/4") BOLTS AND NUTS	5
10 - 24 LOCKNUT	1

PARTS LIST

Storette MODEL J128-066

REPLACEMENT PARTS OR ANY QUESTIONS RE YOUR BUILDING SHOULD BE REFERRED DIRECTLY TO THE FACTORY.

PART NAME	PART NO.	QUANTITY REQ'D
◆ REAR BASE RAIL	840H	1
◆ SIDE BASE RAIL	3J	2
◆ FRONT BASE RAIL	6J	1
◆ CORNER PANEL	B5J	4
◆ REAR WALL PANEL	B21J	1
◆ SIDE TOP RAIL	3J	2
◆ REAR TOP RAIL	840H	1
◆ DOOR TRACK	6J	1
◆ CORNER GUSSET	51J	8
◆ DOOR JAMB	109J	2
◆ DOOR PANELS	F23J	2
◆ ROOF COVER PANEL	419J	1
◆ ROOF EDGE TRIM (TOP & BOTTOM)	16J	2
◆ ROOF EDGE TRIM (SIDES)	17J	2
◆ ROOF COVER BRACE (LONG)	1036M	1
◆ ROOF COVER BRACE (SHORT)	40J	2
◆ ROOF SUPPORT ARM	13J	1
SMALL WASHERS (TREE OF 64)	C61	1
WEATHER STRIPPING (1/2"X3/8"X12ft)		1 ROLL
◆ HARDWARE KIT (COMPLETE (BOLTS, NUTS AND SCREWS) PLUS	J-PACK	1
DOOR GLIDE	A67	4
ROOF LATCH BRACKET	8J	1
ROOF SUPPORT ARM BRACKET	9J	1
DOOR LATCH FINGER	10J	1
ROOF CORNER CAP	60H	4
ROOF COVER HINGE	55J	2
SCREW CLIPS	85J	16
ROOF SUPPORT ARM LATCH PLATE	14J	1
DOOR HANDLE		2
BOLTS & NUTS FOR DOOR HANDLE	G65	4/4
OWNER'S MANUAL	MS	1

THE PARTS REPLACEMENT ORDER FORM IS FOR CANADA ONLY.

PLEASE REFER TO YOUR LOCAL RETAILER FOR PRICES AND SUPPLY OF PARTS OUTSIDE CANADA."

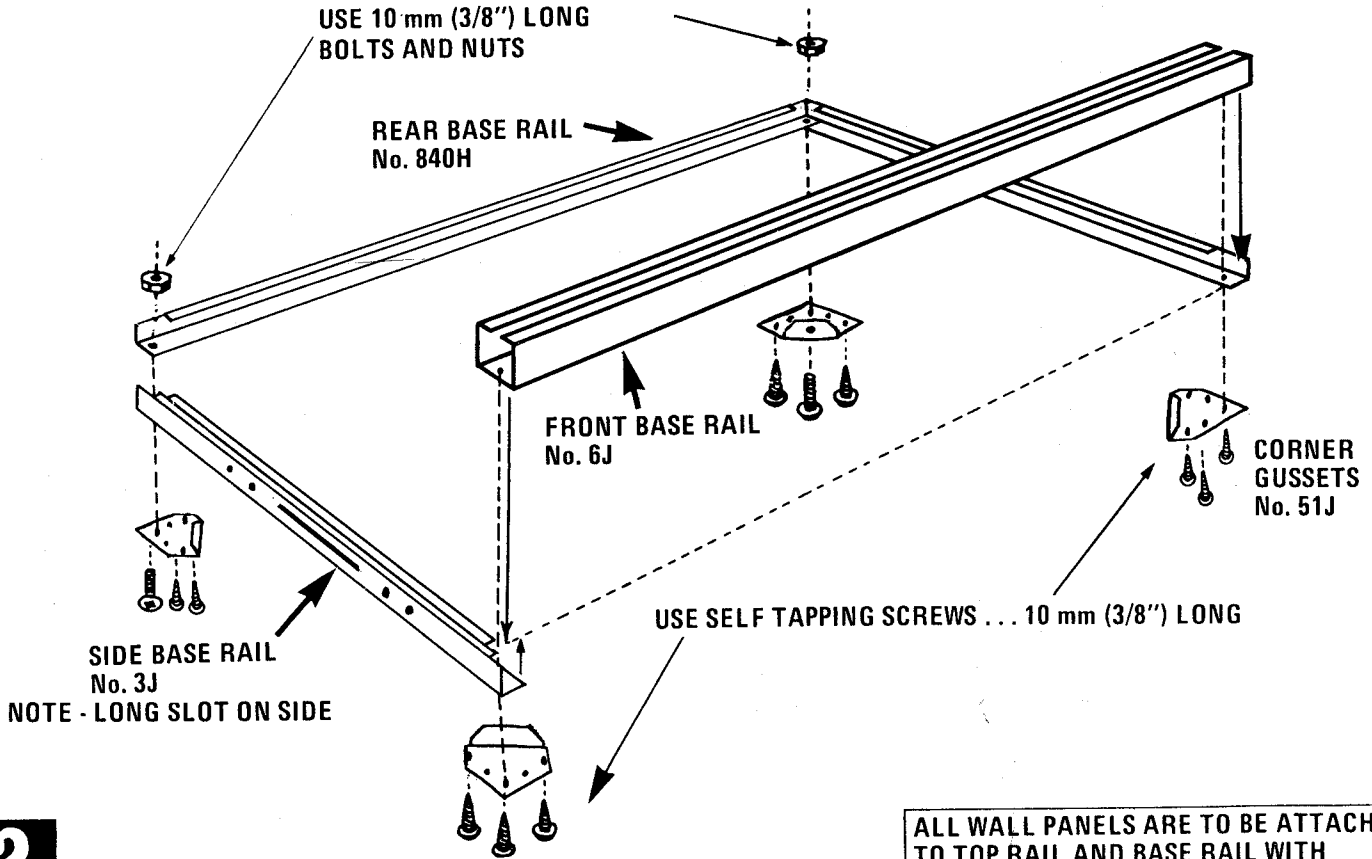
PARTS REPLACEMENT ORDER FORM FREIGHT CHARGES PER SHIPMENT – ◆ PARTS – SHIPPED COLLECT ALL OTHER PARTS – SHIPPED PREPAID

<p>* MODEL NO. J128-066 PARTS REQUIRED</p> <table border="1" style="width: 100%; border-collapse: collapse;"> <thead> <tr> <th style="width: 30%;">PART NO.</th> <th style="width: 15%;">QTY.</th> <th style="width: 55%;">COLOUR</th> </tr> </thead> <tbody> <tr><td> </td><td> </td><td> </td></tr> <tr><td> </td><td> </td><td> </td></tr> <tr><td> </td><td> </td><td> </td></tr> <tr><td> </td><td> </td><td> </td></tr> <tr><td> </td><td> </td><td> </td></tr> <tr><td> </td><td> </td><td> </td></tr> </tbody> </table> <p>FOR PARTS REPLACEMENT PLEASE CONTACT CUSTOMER SERVICE DEPARTMENT PHONE NO. (416) 279-2632</p>	PART NO.	QTY.	COLOUR																			<p style="text-align: center;">PLEASE PRINT</p> <p>NAME: _____</p> <p>ADDRESS: _____</p> <p>CITY: _____ PROVINCE: _____</p> <p>TELEPHONE: _____ POSTAL CODE _____</p> <p>PURCHASED FROM _____</p> <p>STORE ADDRESS: _____</p> <p>DATE PURCHASED: _____</p>
PART NO.	QTY.	COLOUR																				

MAIL TO: SPACEMAKER LIMITED, 3069 WOLFEDALE ROAD, MISSISSAUGA, ONT. L5C 1V9

1

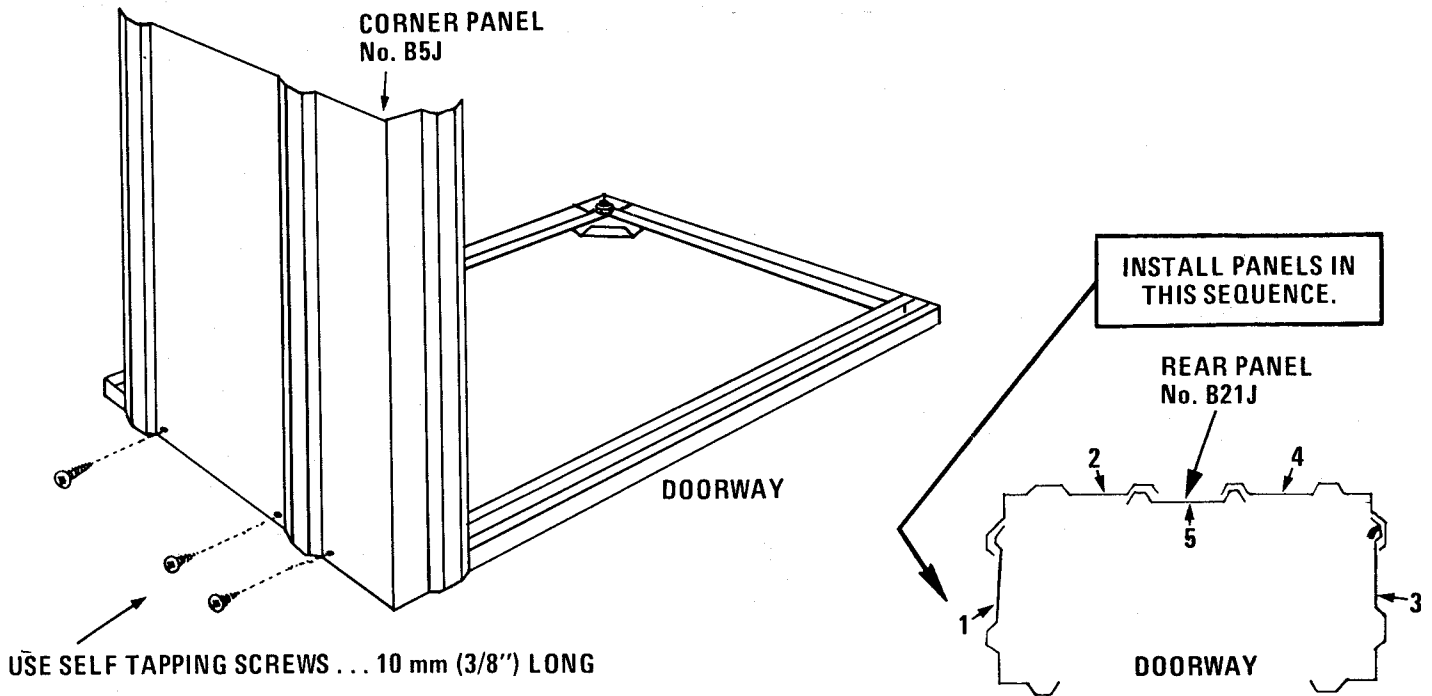
Assemble rear base rail and front base rail to side base rails with corner gussets at each corner as shown ... and place on flat surface.



2

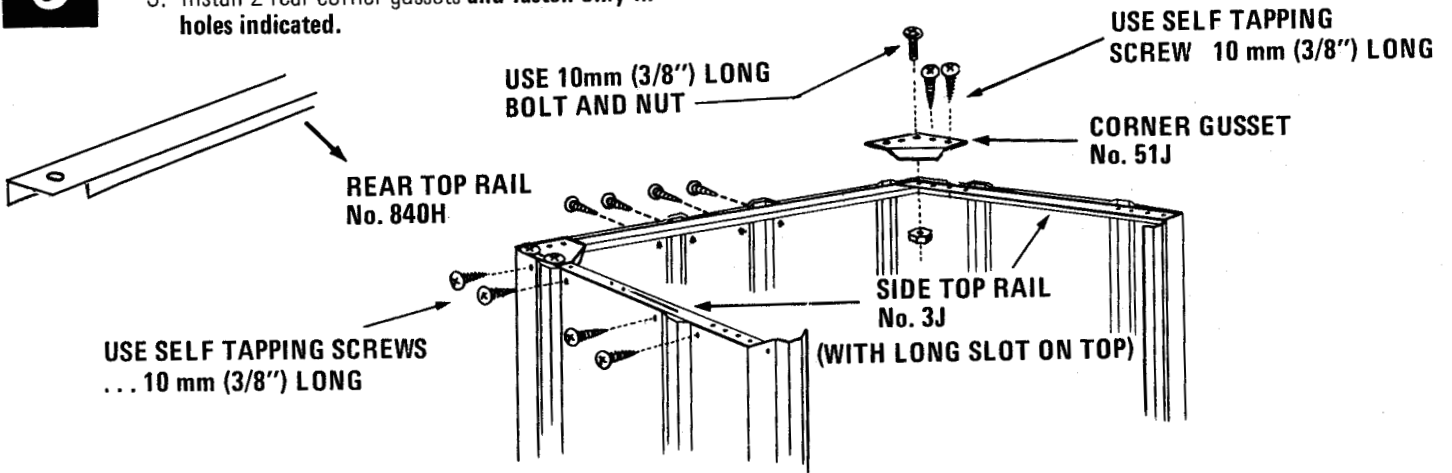
Install 4 corner panels to base frame as shown..... Do not fasten panels to front base rail. Then install narrow rear wall panel in correct position.

ALL WALL PANELS ARE TO BE ATTACHED TO TOP RAIL AND BASE RAIL WITH SCREWS.



3

1. Install rear top rail^a and fasten to wall panels.
2. Fasten side top rail to wall panels.
3. Install 2 rear corner gussets **and fasten only in holes indicated.**

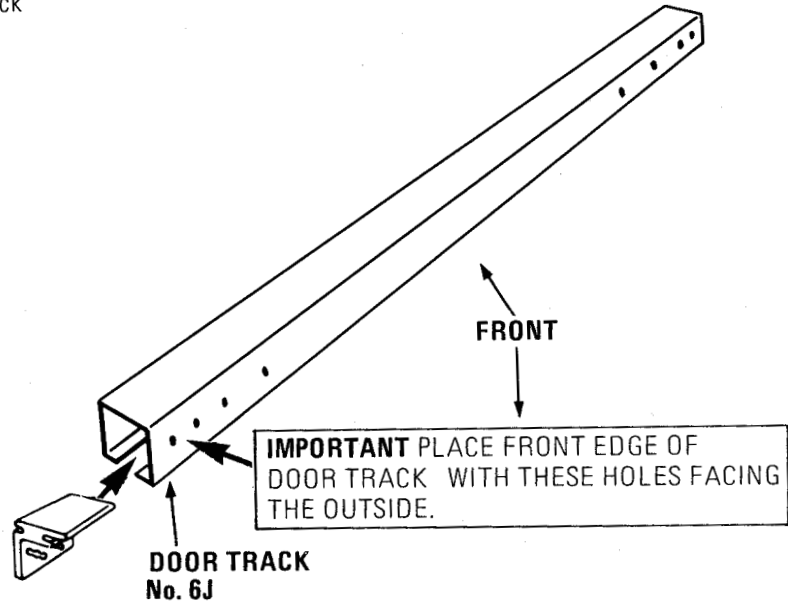
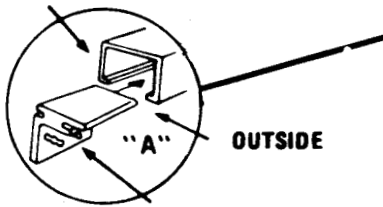


4

1. Slide 4 door glides into door track (as shown).

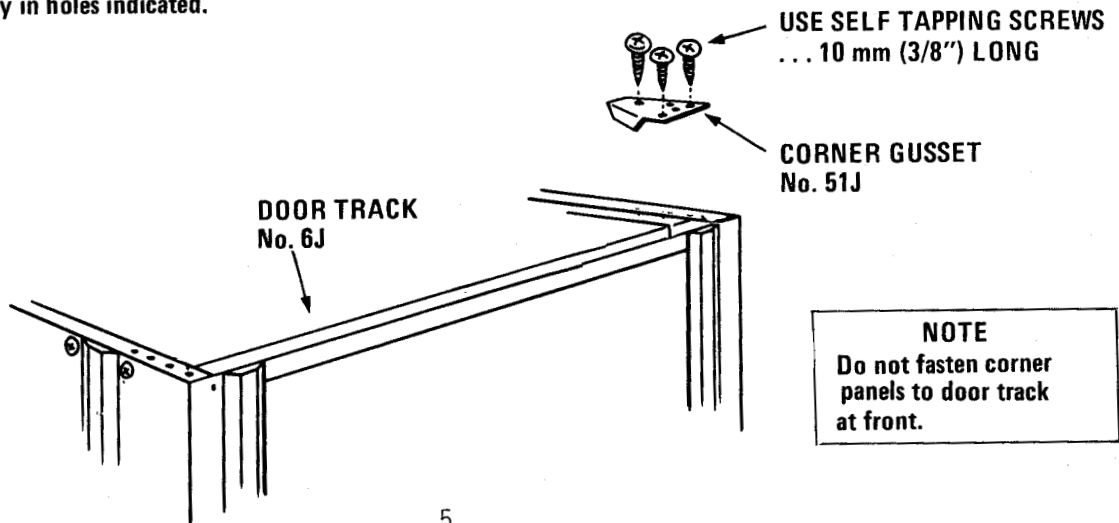
SLIDE DOOR GLIDES INTO DOOR TRACK

INSIDE



5

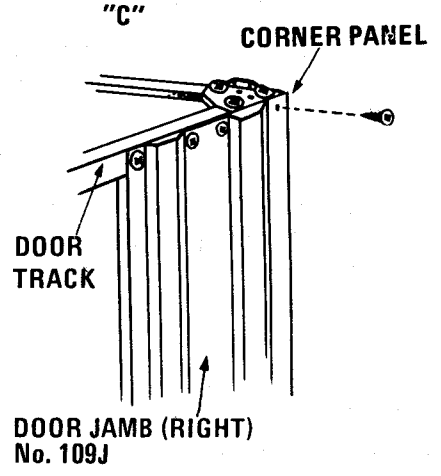
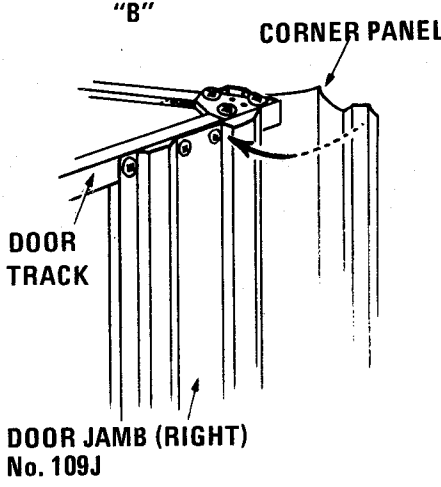
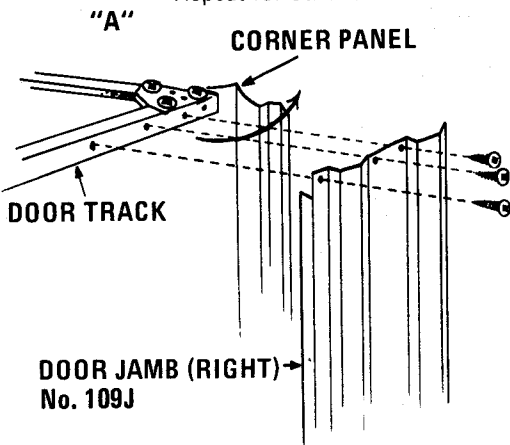
1. Install door track to front end of side rails with front corner gussets as shown. **Fasten only in holes indicated.**



6

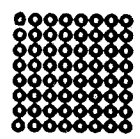
1. Carefully swing front section of corner panel away from door track. Position door jamb on side of doorway. Then fasten top and bottom directly to door track and front base rail. See "A".
2. Then swing corner panel back into position and fasten to door track and front base rail. See "B" & "C". Repeat for other side.

USE SELF TAPPING SCREWS . . . 10 mm (3/8") LONG FASTEN TO FRONT BASE RAIL IN SAME MANNER

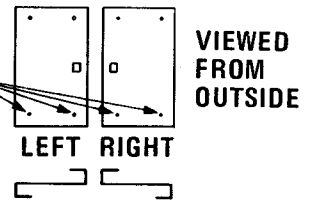
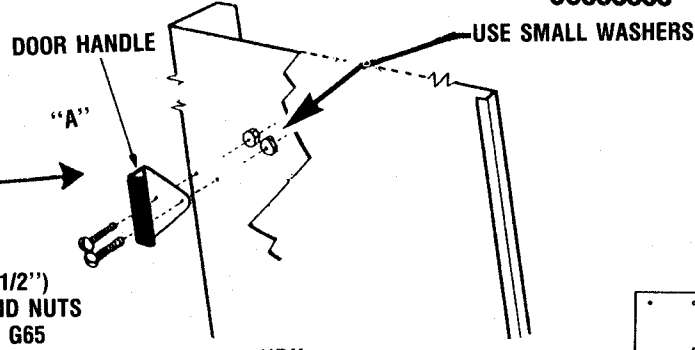


7

1. Attach black door handle using black carriage bolts as shown in "A".
2. Install two 6mm (1/4") bolts and nuts with washers at bottom of each door panel. See "B".

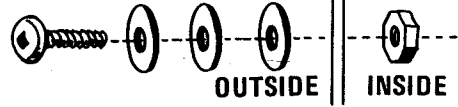


VIEWED FROM OUTSIDE BUILDING



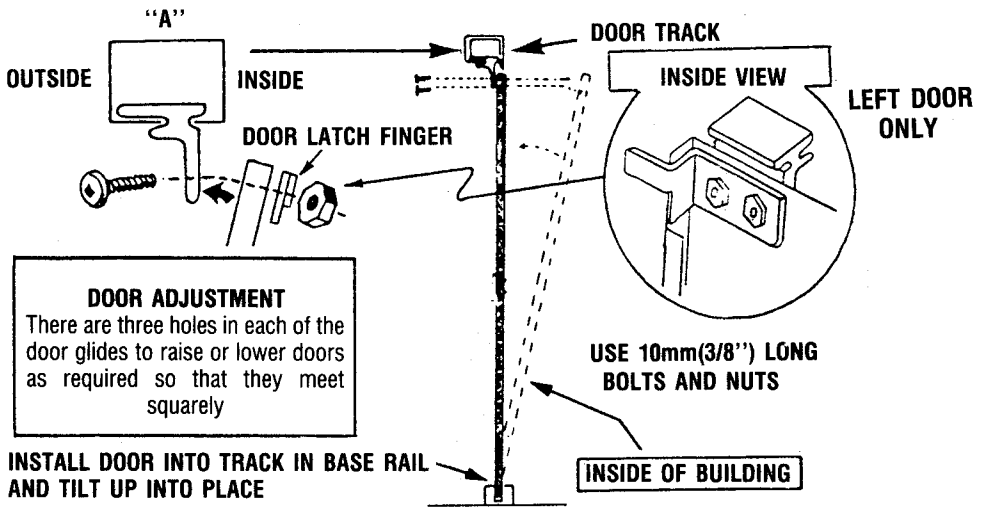
8

DOOR INSTALLATION



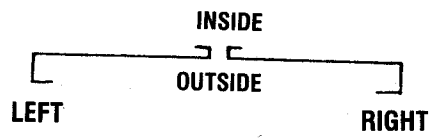
NOTE -2 GLIDES PER DOOR

1. Inside and near the corner of building, install bottom lip of left door into track formed in base rail.
2. Position top of door so that holes in door line up with centre holes in door glide. Fasten inner door glide (nearest to left door jamb) to door using 10mm(3/8") long bolts and nuts. Position door latch finger (10J) behind door panel and fasten through outer door glide using 10mm(3/8") bolts and nuts. See "A".
3. Install right hand door in the same manner but without the door latch finger.



DOOR ADJUSTMENT
There are three holes in each of the door glides to raise or lower doors as required so that they meet squarely

INSTALL DOOR INTO TRACK IN BASE RAIL AND TILT UP INTO PLACE



9

1. Turn roof panel **upside down**... be sure hole pattern matches sketch..See "A" below.
2. Install screw clips (85J) over edge of roof panel exactly as shown at the hole positions indicated. See "C".

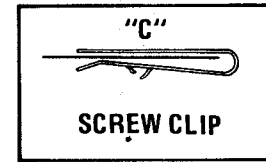
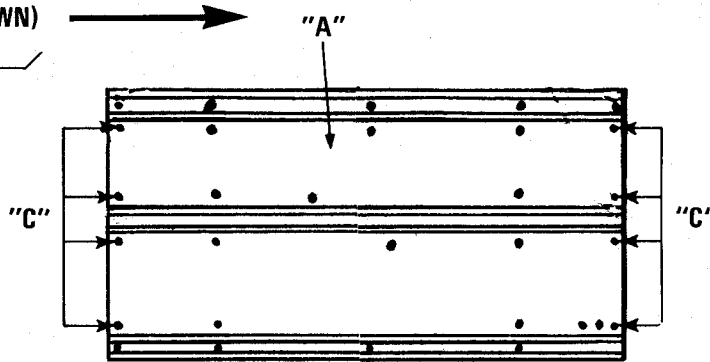


**No. 85J
SCREW CLIP**

ROOF PANEL (UPSIDE DOWN)



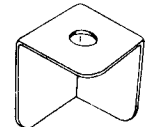
LINE UP HOLES



LINE UP HOLES

10

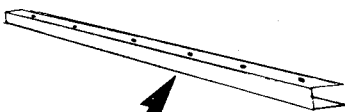
1. With panel still upside down, position roof edge trim, 17J, (with most holes facing upwards) over sides of panel so that holes line up with screw clips. Fasten through roof panel with screws and washers. **NOTE:** Leave the two holes, one on each side of the centre ridge - on the left hand side of the panel, open. See "A" below.
2. Position roof edge trim, 16J, (with most holes facing upwards) over ends of side trim. Line up holes and with 22mm (7/8") long bolts and washers, fasten corner caps to four corners through **top** of roof panel.



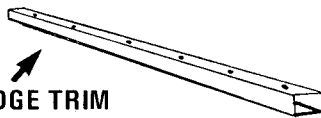
**No. 60H
ROOF CORNER CAP**

Leave other holes open. See "B" and "C".

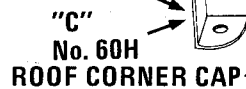
USE 22mm (7/8") LONG BOLTS AND NUTS WITH WASHERS



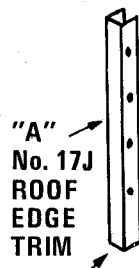
**No. 16J
ROOF EDGE TRIM
(TOP & BOTTOM)**



**No. 17J
ROOF EDGE TRIM
(SIDES)**



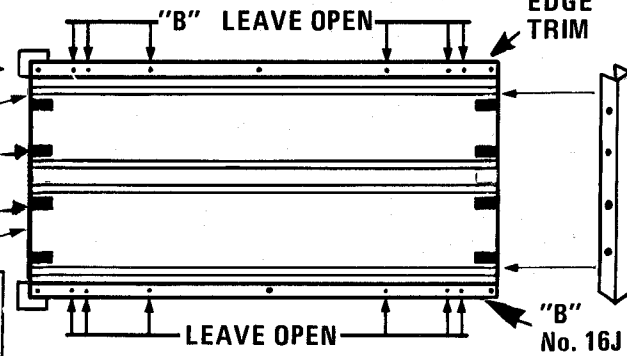
**"C"
No. 60H
ROOF CORNER CAP**



**"A"
No. 17J
ROOF
EDGE
TRIM**



USE SELF TAPPING SCREWS AND WASHERS . . . 10 mm (3/8") LONG



**"B"
No. 16J
ROOF
EDGE
TRIM**

**"A"
No. 17J
ROOF
EDGE
TRIM**

**"B"
No. 16J
ROOF
EDGE
TRIM**

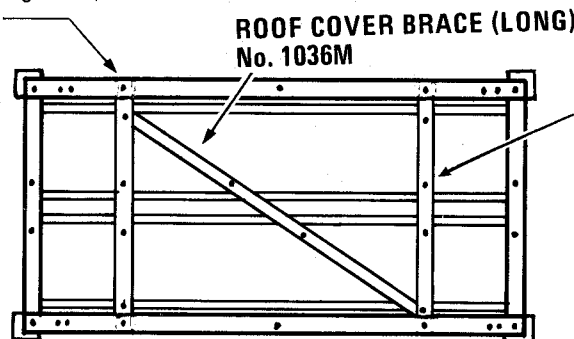
11

1. Position roof cover brace (long) 1036M diagonally as shown to the underside of panel. Fasten through **top** of panel into brace, at the two centre holes only, using 10mm(3/8") long bolts and nuts with washers.
2. Position roof cover braces (short) 40J, vertically over ends of diagonal brace (1036M) with ends of each short brace **under** the lips of the top and bottom roof edge trim. Fasten through **top** of roof panel with 10mm(3/8") screws and washers in centre area only.
3. Fasten extreme ends of braces (40J) where they pass under the roof edge trim (16J) with 22mm(7/8") long bolts, nuts and washers.

USE 22mm (7/8") LONG BOLTS AND NUTS AT ENDS OF ROOF COVER BRACES (SHORT)

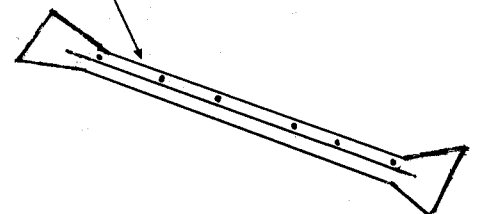
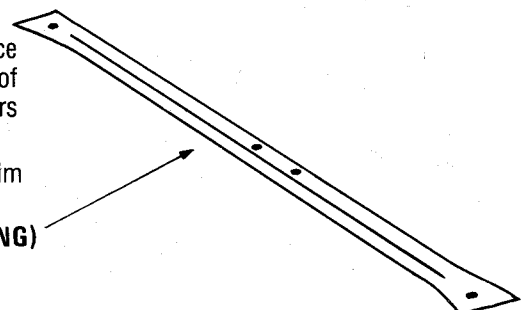


USE SELF TAPPING SCREWS AND WASHERS . . . 10 mm (3/8") LONG IN CENTRE AREA



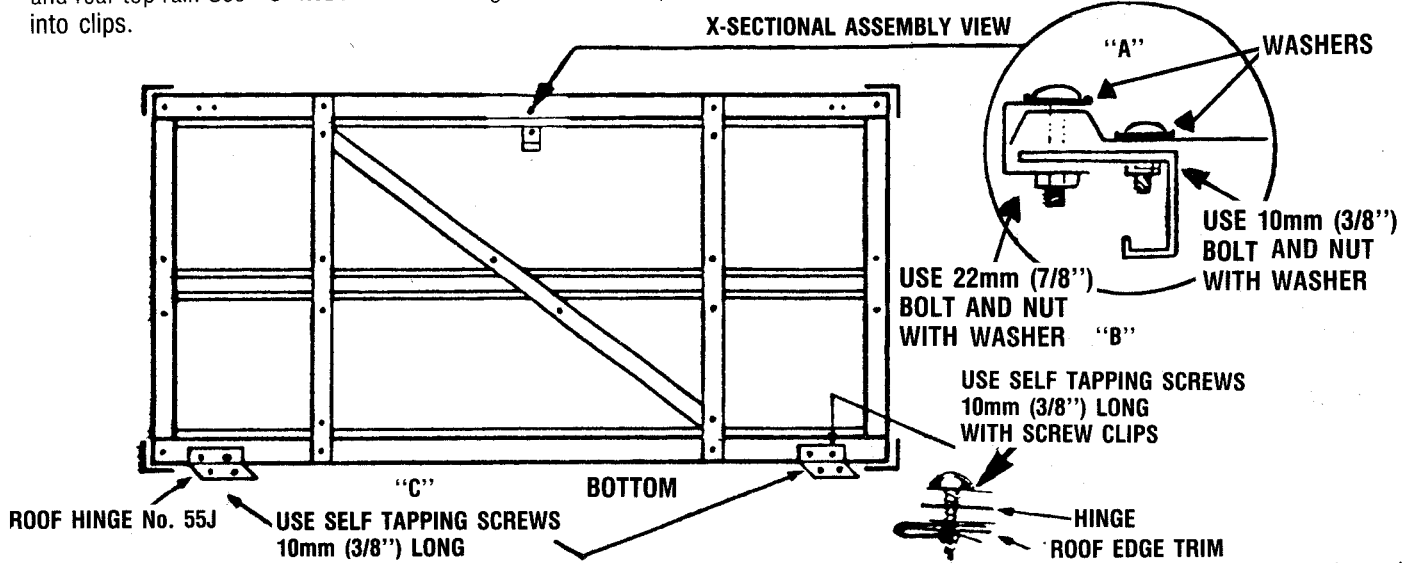
**ROOF COVER BRACE (LONG)
No. 1036M**

**ROOF COVER BRACE (SHORT)
No. 40J**



12

1. Install roof latch bracket (8J) to top of roof cover with 10mm(3/8") bolt and nut with washer and 22mm(7/8") bolt and nut with washer. See "A" **NOTE:** Leave nuts slack for later adjustments.
2. Tap into place screw clips over the two double holes in bottom roof trim (16J). Fasten roof hinges (narrow side) to roof panel assembly as shown. See "B".
3. Complete the securing of braces to roof by using 10mm(3/8") and 22mm(7/8") bolts and nuts with washers where required.
4. With help - fasten completed roof assembly to base unit by using 10mm(3/8") screws, through hinges into rear corner gussets and rear top rail. See "C". **NOTE:** For a stronger attachment, place screw clips (85J) under holes in rear top rail and tighten screws into clips.



13

1. Install support arm latch plate (14J) on left, top side rail (3J) with two 10mm(3/8") screws so that the slotted holes in each piece overlap as show. See "A".
2. Assemble roof support arm (13J) and arm bracket (9J) with a 10mm (3/8") bolt and locknut. **Leave slack.** See "B".
3. On the left side of roof, slide roof support arm bracket beneath roof edge trim so that its holes line up with open holes in roof edge trim. Attach with 10mm (3/8") long screws and washers. See "D".
4. Slide other end of support arm (13J) through slot in side top rail, so that notch in arm hooks into the overlapped slot in top rail to support roof in the open position. Install bolt and nut in bottom hole of arm. See "C".
5. Cut self adhesive weatherstripping to length and apply to top rails, as shown in "E".
6. Grease hinges.
7. With lid shut adjust roof latch bracket (8J) so that door latch finger (10J) on left hand door, engages with roof latch bracket to lock lid. Tighten the two bolts that hold roof latch bracket to roof.
8. Use large centre holes in bottom gussets to anchor unit, if required.

